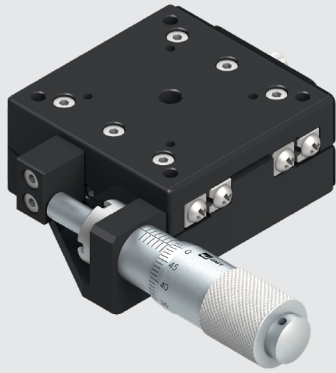
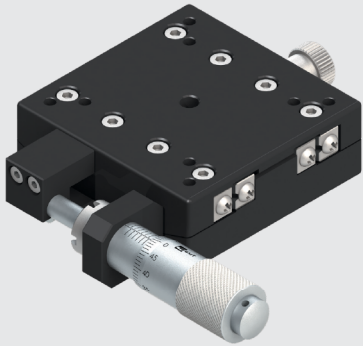


MXG4-□□VM



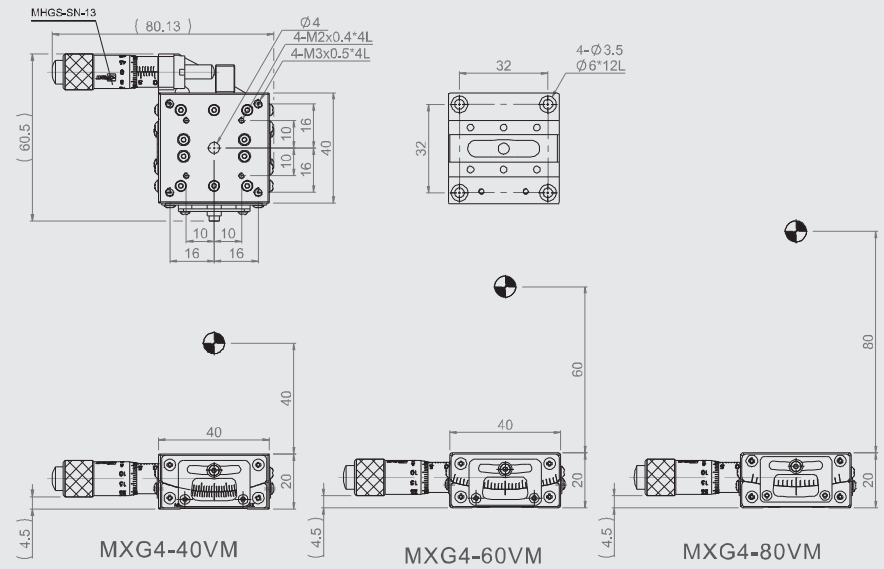
MXG5-50VM



Specification

Unit: mm

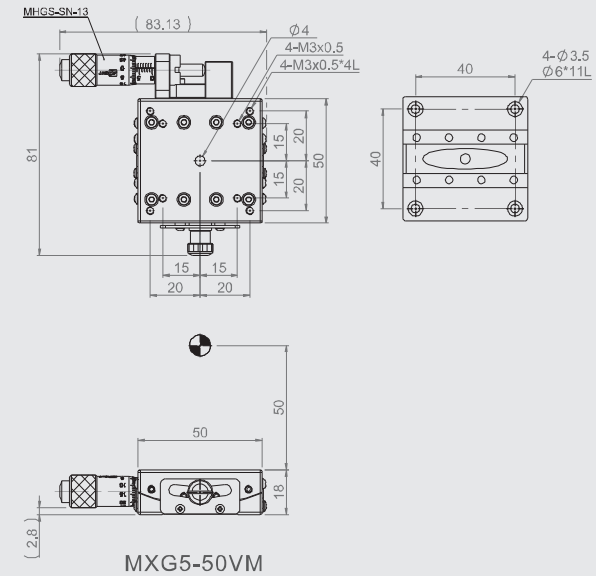
Model no.	Table size	Axis	Feed position	Height of rotation center	Travel stroke	Minimum reading	Micrometer minimum reading	Allowable Loading (kgf)	Weight kg	Material	Surface finish
MXG4-40VM	40*40	$\alpha$	Side	40	$\pm 7^\circ$	0.1°	$\approx 40''$	3	0.15	Aluminum alloy	Black anodized
MXG4-60VM	40*40			60	$\pm 4^\circ$		$\approx 29''$		0.15		
MXG4-80VM	40*40			80	$\pm 4^\circ$		$\approx 22''$		0.15		
MXG5-50VM	50*50			50	$\pm 3^\circ$		$\approx 53''$		0.2		



MXG4-40VM

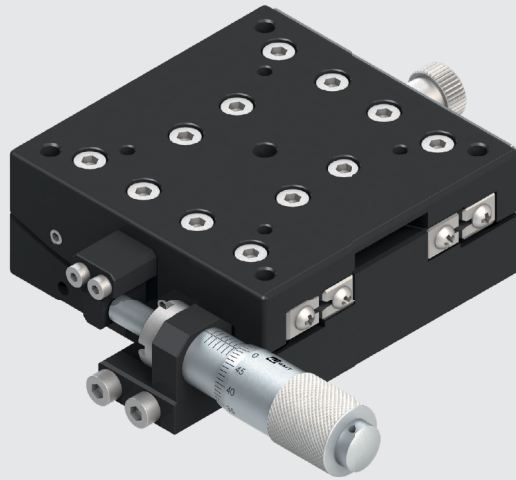
MXG4-60VM

MXG4-80VM



MXG5-50VM

MXG6-□□VM



Specification

Unit: mm

Model no.	Table size	Axis	Feed position	Height of rotation center	Travel stroke	Minimum reading	Micrometer minimum reading	Allowable Loading (kgf)	Weight kg	Material	Surface finish
MXG6-50VM	60*60	$\alpha$	Side	50	$\pm 4^\circ$	0.1"	$\div 32''$	4.5	0.33	Aluminum alloy	Black anodized
MXG6-75VM	60*60			75	$\pm 3^\circ$		$\div 23''$				
MXG6-100VM	60*60			100	$\pm 3^\circ$		$\div 18''$				

