

MZF-80



MZF-120

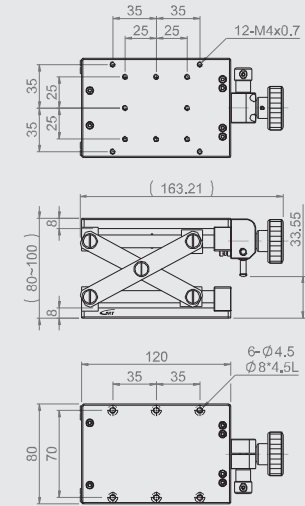


Specification

Unit: mm

Model no.	Table size	Travel stroke	Movement per knob rotation	Parallelism	Allowable Loading (kgf)	Weight kg	Material	Surface finish
MZF-80	80*120	40	2	200 μm	7	1.25	Aluminum alloy	Black anodized
MZF-120	120*180	70	3		10	3.5		

MZF-80



MZF-120

