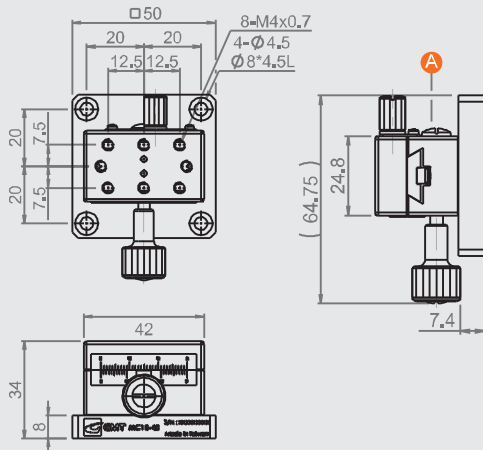
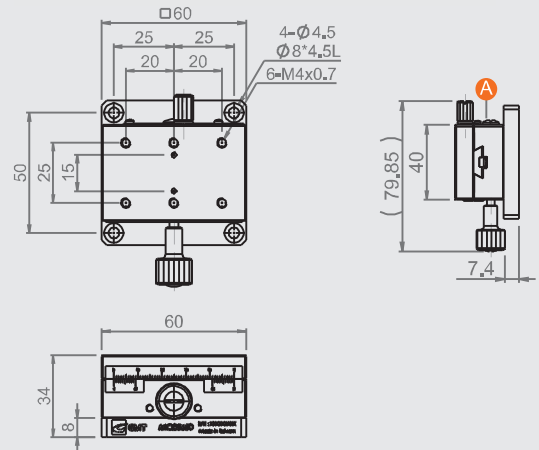
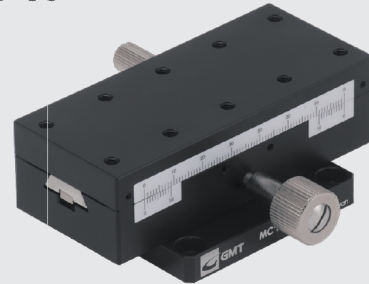


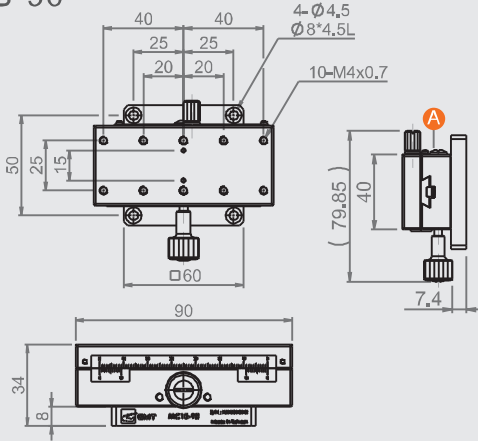
MC1B-40



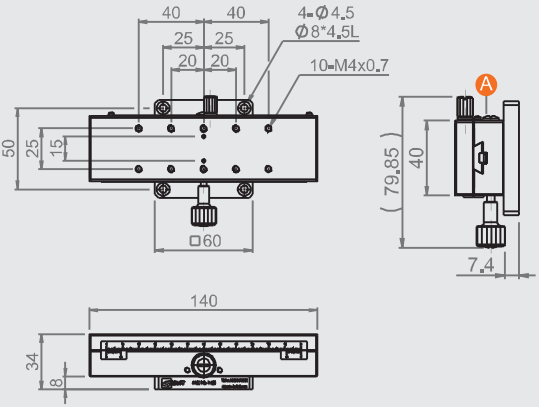
MC1B-60



MC1B-90



MC1B-140



★ Use a flat driver to turn **A** clockwise for slow motion, or turn counterclockwise for smooth motion.

Specification

Unit: mm

Model no.	Table size	Travel stroke	Minimum reading	Straightness accuracy	Allowable Loading (kgf)	Weight kg	Material	Surface finish
MC1B-40	24.8*42	±12	0.1 mm / Vernier	30 μm	3.0	0.17	Aluminum alloy	Black anodized
MC1B-60	40*60	±21				0.29		
MC1B-90	40*90	±35			0.40			
MC1B-140	40*140	±60			0.56			

★ A full rotation of the feeding screw knob equals a 18mm stroke.