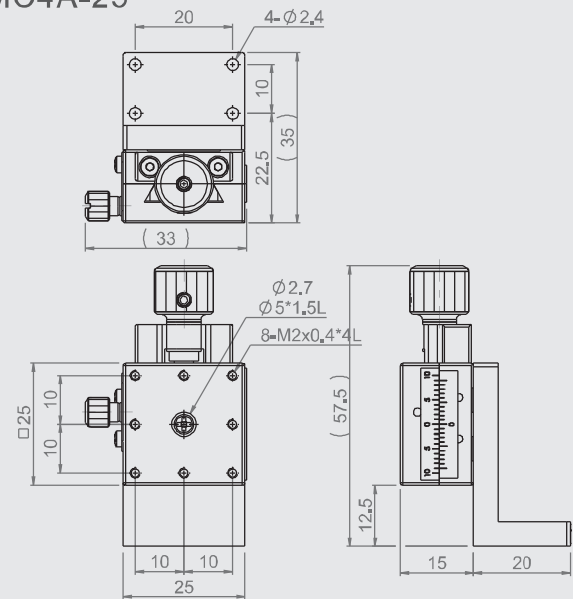


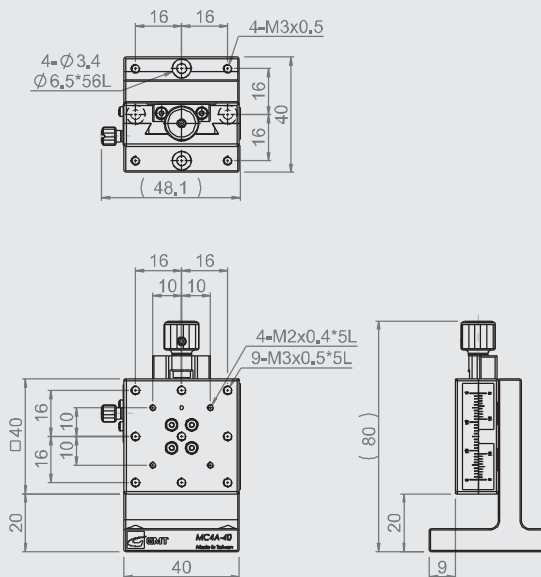
MC4A-60



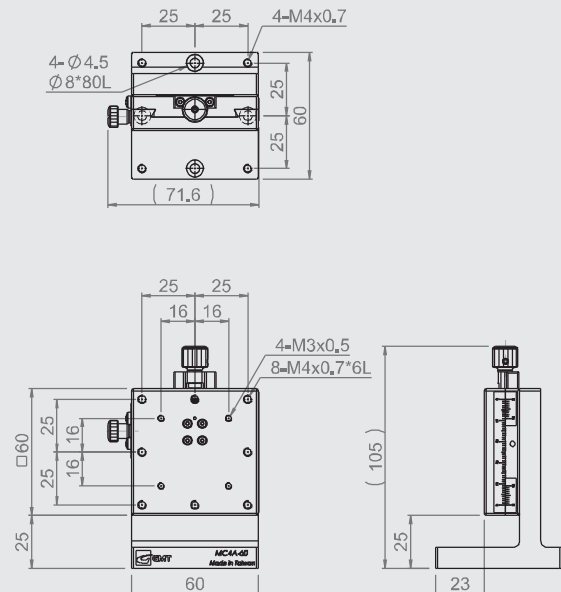
MC4A-25



MC4A-40



MC4A-60



Specification

Unit: mm

Model no.	Table size	Travel stroke	Micrometer minimum reading	Straightness accuracy	Allowable Loading (kgf)	Weight kg	Material	Surface finish
MC4A-25	25*25	±3	0.1 mm / Vernier	30 µm	1.0	0.09	Stage body: Brass Alloy Feeding screw Knob: Aluminum	Black fluororesin finished
MC4A-40	40*40	±7			1.0	0.26		
MC4A-60	60*60	±9			2.0	0.75		

★ A full rotation of the feeding screw knob equals a 0.5mm stroke.