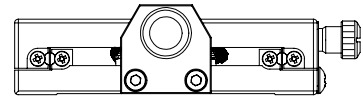
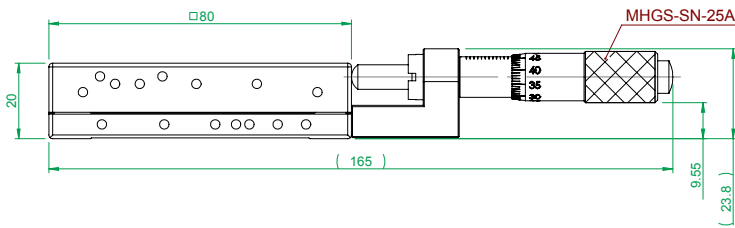


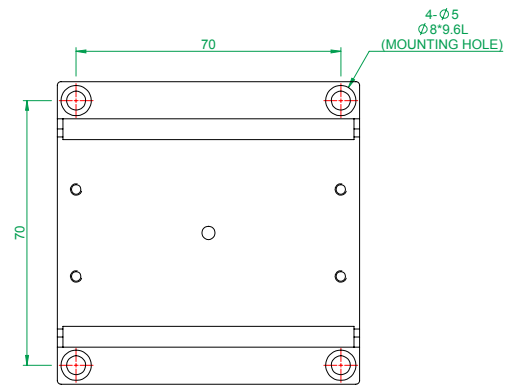
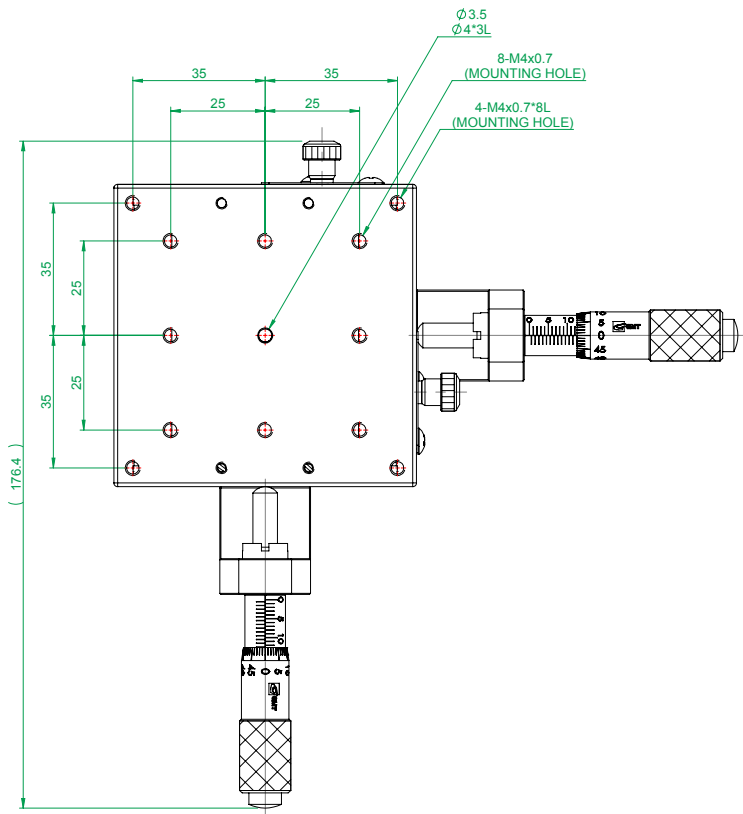
MX(Y)80- S series  
base mounting dimensions



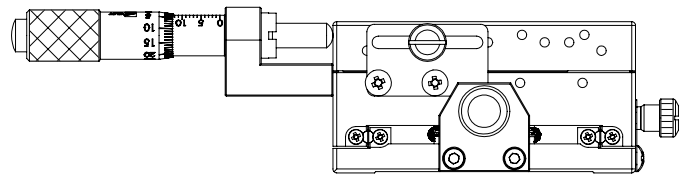
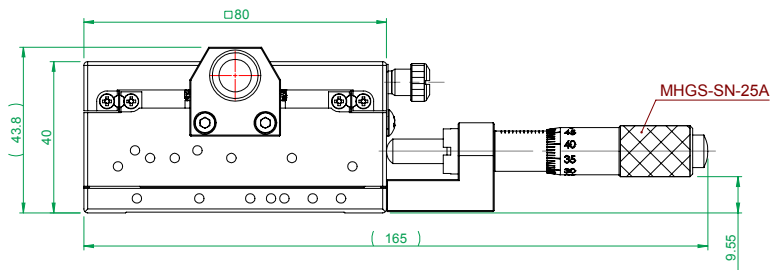
(FM0758A)

Nominal Tolerance		Precision machining: 1.6	Verify Chief	Date	Remarks	Model no.		MX80-SC
Dimensions	Allowable deviation	Fine machining: 6.3	Drawer	Date	Surface finish	Electroless nickel plating		3122-MX80-SC-10
0.5 ~ 4	±0.05	Initial machining: 2.5	Designer	Date	Material	Contact to regional sales	QTY 1 /PCS	Part Number
4 ~ 16	±0.07	Enthusiasm /United / Innovation/Brilliant			Heat treatment	N/A		Drawing name
16 ~ 68	±0.1	GMT GLOBAL INC.			Unit	mm	Print A4	Drawing no.
68 ~ 250	±0.2	Http://www.gmtglobalinc.com			Scale	1:2	Weight 881.23g	Profile
250 ~ 1000	±0.3	TEL:+886 4 7688320 FAX:+886 4 7688314						Version
1000 ~ 1500	±0.5	GMT						



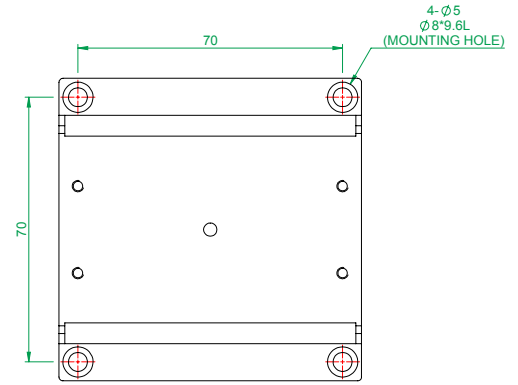
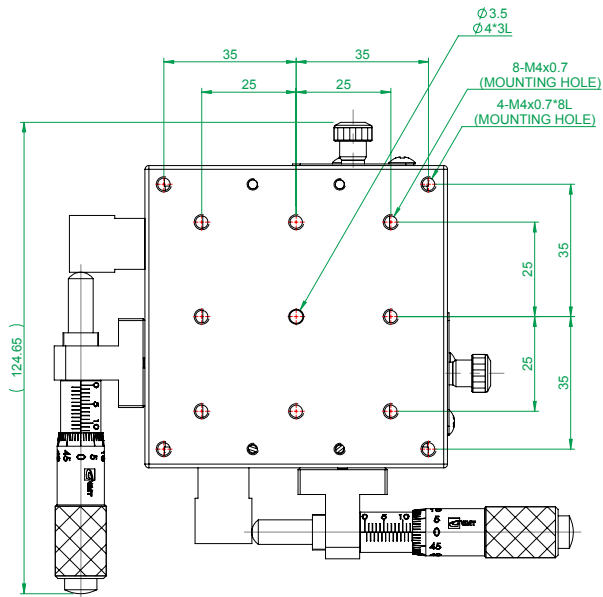


MX(Y)80- S series  
base mounting dimensions

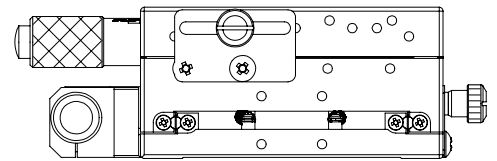
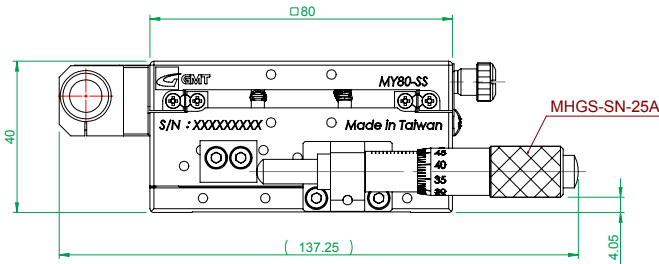


(FM0758A)

Nominal Tolerance		Precision machining: 1.6	Verify Chief	Date	Remarks	Model no.		MY80-SC
Dimensions	Allowable deviation	Fine machining: 6.3	Drawer	Date	Surface finish	Part Number		3122-MY80-SC-10
0.5 ~ 4	$\pm 0.05$	Initial machining: 2.5	Designer	Date	2007/4/10	Contact to regional sales	QTY	1 /PCS
4 ~ 16	$\pm 0.07$	Enthusiasm /United / Innovation/Brilliant			Material	N/A		Drawing name
16 ~ 68	$\pm 0.1$	GMT GLOBAL INC.			Heat treatment	N/A		Drawing no.
68 ~ 250	$\pm 0.2$	Http://www.gmtglobalinc.com			Unit	mm	Print	A4
250 ~ 1000	$\pm 0.3$	TEL:+886 4 7688320 FAX:+886 4 7688314			Scale	1:2	Weight	1789.31g
1000 ~ 1500	$\pm 0.5$				Profile			Version



MX(Y)80- S series  
base mounting dimensions



(FM0758A)

Nominal Tolerance		Precision machining: 1.6	Verify Chief	Date	Remarks	Model no.		MY80-SS
Dimensions	Allowable deviation	Fine machining: 6.3	Drawer	Date	Surface finish	Electroless nickel plating		3122-MY80-SS-10
0.5 ~ 4	±0.05	Initial machining: 2.5	Designer	Date	Material	Contact to regional sales	QTY 1 /PCS	Part Number
4 ~ 16	±0.07	Enthusiasm /United / Innovation/Brilliant			Heat treatment	N/A		Drawing name
16 ~ 68	±0.1	GMT GLOBAL INC.			Unit	mm	Print A4	Drawing no.
68 ~ 250	±0.2	Http://www.gmtglobalinc.com			Scale	1:2	Weight 1792.48g	Profile
250 ~ 1000	±0.3	TEL:+886 4 7688320 FAX:+886 4 7688314			Version			
1000 ~ 1500	±0.5							