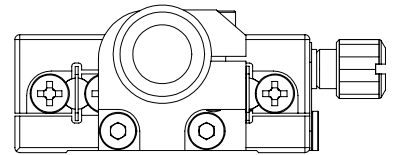
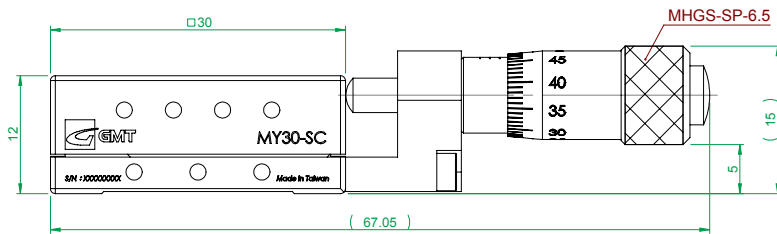
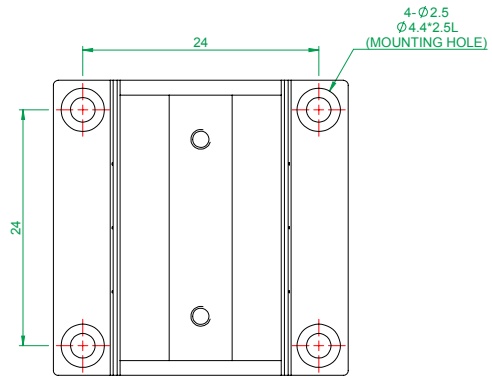
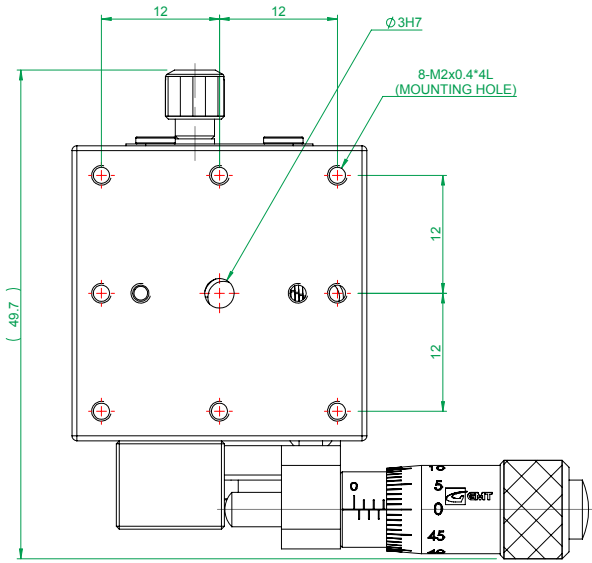


MX(Y)30-S series
base mounting dimensions

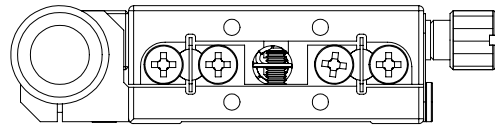
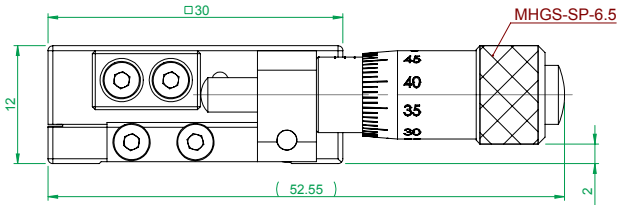


(FM0758A)

Nominal Tolerance		Precision machining: 1.6	Verify Chief	Date	Remarks		Model no.	MX30-SC	
Dimensions	Allowable deviation	Fine machining: 6.3	Drawer	Date	Surface finish	Electroless nickel plating	Part Number	3122-MX30-SC-10	
0.5 ~ 4	±0.05	Initial machining: 2.5	Designer	Date	Material	Contact to regional sales	QTY	1	/PCS
4 ~ 16	±0.07	Enthusiasm /United / Innovation/Brilliant				Heat treatment	N/A		Drawing no.
16 ~ 68	±0.1	GMT GLOBAL INC.				Unit	mm	Print	A4
68 ~ 250	±0.2	 Http://www.gmtglobalinc.com TEL:+886 4 7688320 FAX:+886 4 7688314				Scale	1.3:1	Weight	84.99g
250 ~ 1000	±0.3					Profile		Version	
1000 ~ 1500	±0.5								

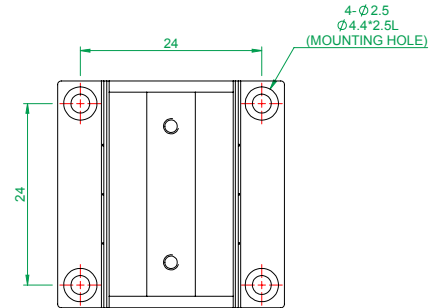
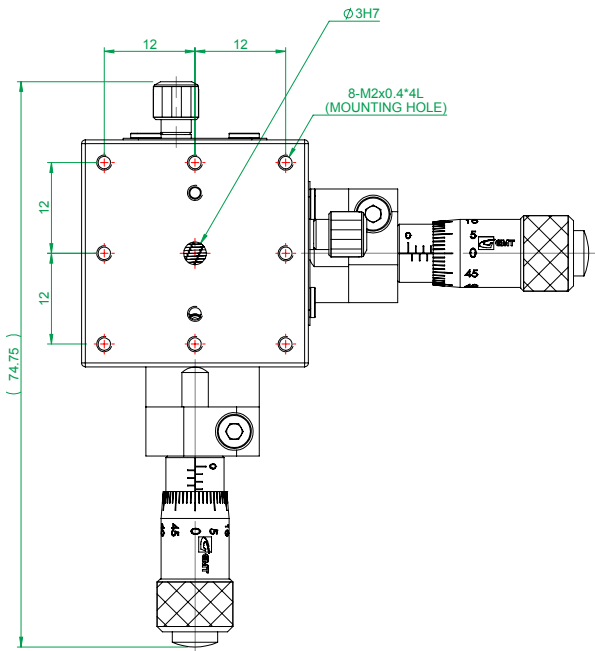


MX(Y)30-S series
base mounting dimensions

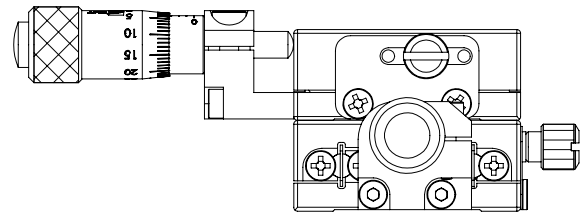
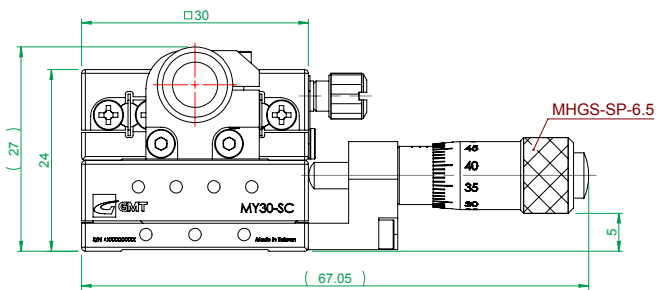


(FM0758A)

Nominal Tolerance		Precision machining: 1.6	Verify Chief	Date	Remarks	Model no.		MX30-SS
Dimensions	Allowable deviation	Fine machining: 6.3	Drawer	Date	Surface finish	Part Number		3122-MX30-SS-10
0.5 ~ 4	±0.05	Initial machining: 2.5	Designer	Date	Material	Contact to regional sales	QTY	1 /PCS
4 ~ 16	±0.07	Enthusiasm /United / Innovation/Brilliant			Heat treatment	N/A		Drawing name
16 ~ 68	±0.1	GMT GLOBAL INC.			Unit	mm	Print	A4
68 ~ 250	±0.2	Http://www.gmtglobalinc.com			Scale	1.3:1	Weight	85.26g
250 ~ 1000	±0.3	TEL:+886 4 7688320 FAX:+886 4 7688314			Profile			Version
1000 ~ 1500	±0.5							

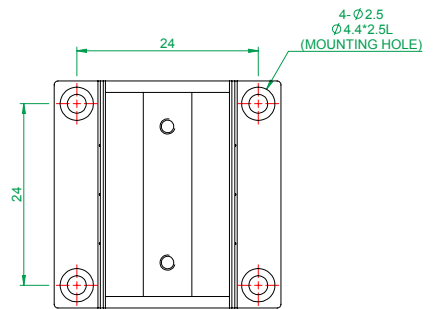
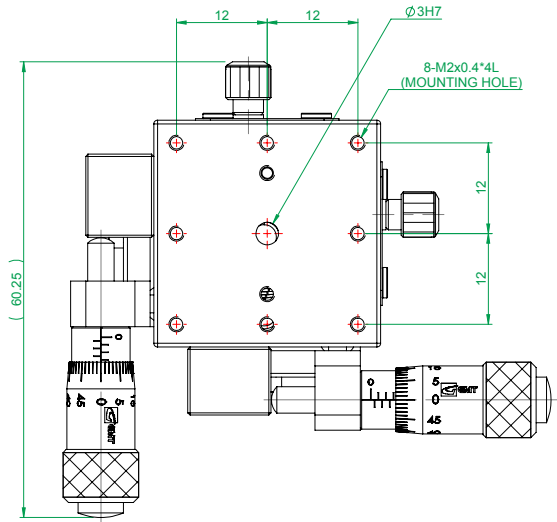


MX(Y)30-S series
base mounting dimensions

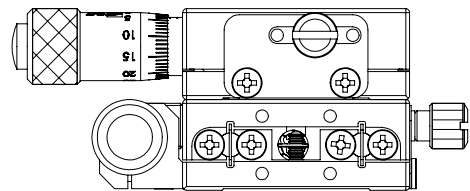
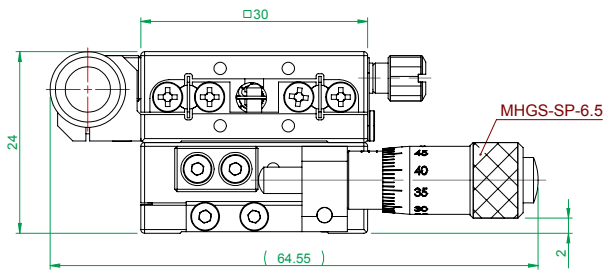


(FM0758A)

Nominal Tolerance		Precision machining: 1.6	Verify Chief	Date	Remarks	Model no.		MY30-SC
Dimensions	Allowable deviation	Fine machining: 6.3	Drawer	Date	Surface finish	Part Number		3122-MY30-SC-10
0.5 ~ 4	± 0.05	Initial machining: 2.5	Designer	Date	Material	Contact to regional sales	QTY	1 /PCS
4 ~ 16	± 0.07	Enthusiasm /United / Innovation/Brilliant			Heat treatment	N/A		Drawing name
16 ~ 68	± 0.1	GMT GLOBAL INC.			Unit	mm	Print	A4
68 ~ 250	± 0.2	Http://www.gmtglobalinc.com			Scale	1:1	Weight	171.00g
250 ~ 1000	± 0.3	TEL:+886 4 7688320 FAX:+886 4 7688314			Profile			Version
1000 ~ 1500	± 0.5							



MX(Y)30- S series
base mounting dimensions



(FM0758A)

Nominal Tolerance		Precision machining: 1.6	Verify Chief	Date	Remarks	Model no.		MY30-SS
Dimensions	Allowable deviation	Fine machining: 6.3	Drawer	Date	Surface finish	Electroless nickel plating		Part Number
0.5 ~ 4	±0.05	Initial machining: 2.5	Designer	Date	Material	Contact to regional sales	QTY	3122-MY30-SS-10
4 ~ 16	±0.07	Enthusiasm /United / Innovation/Brilliant			Heat treatment	N/A		Drawing name
16 ~ 68	±0.1	GMT GLOBAL INC.			Unit	mm	Print	A4
68 ~ 250	±0.2	Http://www.gmtglobalinc.com			Scale	1:1	Weight	171.59g
250 ~ 1000	±0.3	TEL:+886 4 7688320 FAX:+886 4 7688314			Drawing no.		(P.091)MX(Y)30-SC(S)	
1000 ~ 1500	±0.5	Profile			Version		Version	