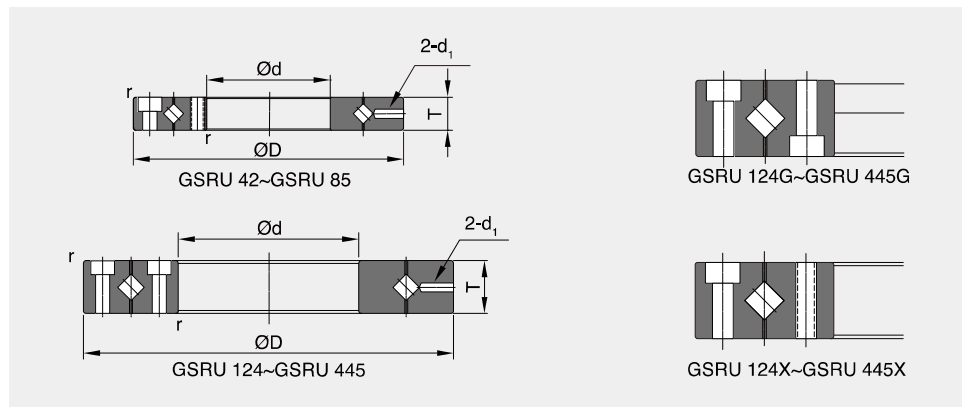
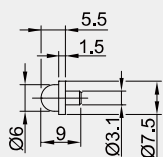


GSRU Model (Inner Ring Integrated With Outer Ring)

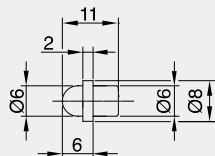


Axial	Model No.	Main Dimensions					Flange Height		Basic Load		Weight
		ID	OD	Thickness	LH	Chamfer (r/min)	Øda	ØDh	C	C ₀	
		Ød	ØD	T	d ₁	r _{min}					
20	GSRU42	20	70	12	3	0.5	36	46	7.3	8.33	0.28
35	GSRU66	35	95	15	3	0.5	58	75	17.53	22.31	0.6
55	GSRU85	55	120	15	3	0.5	78	94	20.31	29.55	1.1
80	GSRU124(G)	80	165	22	3	1	115	133	33	50.85	2.61
	GSRU124X										
90	GSRU148(G)	90	210	25	3	1.5	134	161	49	76.83	4.95
	GSRU148X										
115	GSRU178(G)	115	240	28	3	1.5	162	194	80.32	134.9	6.78
	GSRU178X										
160	GSRU228(G)	160	295	35	6.1	2	207	247	103.5	172.8	11.42
	GSRU228X										
210	GSRU297(G)	210	380	40	6.1	2.5	271	321	155.8	281.3	21.33
	GSRU297X										
350	GSRU445(G)	350	540	45	6.1	2.5	418	472	222.3	473.4	35.2
	GSRU445X										

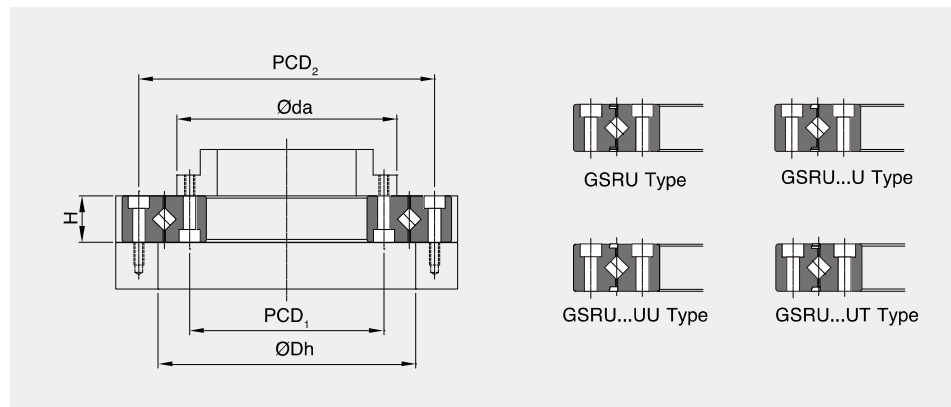
NP3.2x3.5



NP6x5



© Lubricant nozzle is available to be specified as "N" by GSRU models as below.



Mounting Hole Specifications			
Inner Ring		Outer Ring	
PCD ₁	Mounting Hole	PCD ₂	Mounting Hole
28	6-M3 through	57	6-Ø3.5 6 through, Ø6x3.5L sunk bore
45	8-M4 through	83	8-Ø4.5 through, Ø8x4.5L sunk bore
65	8-M5 through	105	8-Ø5.5 through, Ø10x5.5L sunk bore
97	10-Ø5.6 through, Ø10x5.5L sunk bore	148	10-Ø5.5 through, Ø10x5.5L sunk bore
	10-M5 through		
112	12-Ø8.5 6 through, Ø16x8.5L sunk bore	187	12-Ø8.5 through, Ø16x8.5L sunk bore
	12-M8 through		
139	12-Ø8.5 through, Ø16x8.5L sunk bore	217	12-Ø8.5 through, Ø16x8.5L sunk bore
	12-M8 through		
184	12-Ø10.5 through, Ø20x10.5L sunk bore	270	12-Ø10.5 through, Ø20x10.5L sunk bore
	12-M10 through		
240	16-Ø12.5 through, Ø24x12.5L sunk bore	350	16-Ø12.5 through, Ø24x12.5L sunk bore
	16-M12 through		
385	24-Ø12.5 through, Ø24x12.5L sunk bore	505	24-Ø12.5 through, Ø25x12.5L sunk bore
	24-M12 through		