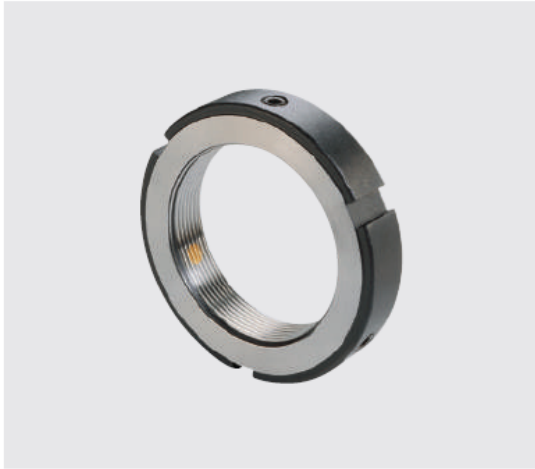
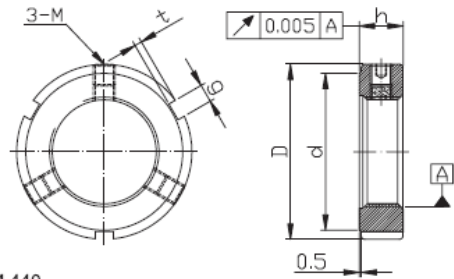


Precision Milling – Radial Locking | GMRZ



- The brake screw of this product is designed in radial locking. It is suitable for the restrictive space in design or assembly for replacing the precision nuts of 30-degree locking series.
- No need of locking washer and keyway.
- Correct assembly procedure and can also be repeatedly used.

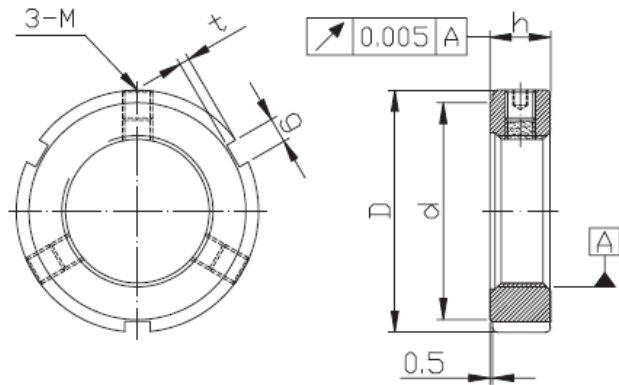


- Material : SCM 440
- Hardness : HRC 28-32
- Accuracy : ISO 4H

Specification Description

Model No.	Dimensions					Static Axial Load (kN)	Loosening Torque (kgf-cm)	Screw DIN	Screw Torque Max. kgf-cm
	D	h	g	t	d				
GMRZ 6 x 0,5P	16	8	3	2	11	7,8	110	M4	22
GMRZ 8 x 0,75P					10,2	150			
GMRZ 8 x 1,0P					11	150			
GMRZ 10 x 0,75P	18	8	3	2	13	11	180	M4	22
GMRZ 10 x 1,0P					13	180			
GMRZ 12 x 1,0P	20	8	3	2	18	20	190	M4	22
GMRZ 12 x 1,5P	20				190				
GMRZ 14 x 1,0P	24	8	3	2	20	25	200	M4	22
GMRZ 14 x 1,5P	24				200				
GMRZ 15 x 1,0P	25	8	3	2	21	30	220	M4	22
GMRZ 16 x 1,0P	25				220				
GMRZ 16 x 1,5P	28	10	4	2	23	35	250	M5	48
GMRZ 17 x 1,0P					23	40	280		
GMRZ 18 x 1,0P	32	10	4	2	27	45	290	M5	48
GMRZ 18 x 1,5P					27	290			
GMRZ 20 x 1,0P	32	10	4	2	27	50	300	M5	48
GMRZ 20 x 1,5P					27	300			
GMRZ 22 x 1,0P	35	10	4	2	30	65	400	M5	48
GMRZ 22 x 1,5P	35				400				
GMRZ 24 x 1,0P	37	12	5	2	32	70	450	M6	80
GMRZ 24 x 1,5P					32	450			
GMRZ 25 x 1,5P	38	12	5	2	33	75	550	M6	80
GMRZ 26 x 1,5P	38				550				
GMRZ 27 x 1,5P	40	12	5	2	35	80	600	M6	80
GMRZ 28 x 1,0P	40				600				
GMRZ 28 x 1,5P	43	12	5	2	38	85	650	M6	80
GMRZ 30 x 1,5P					38	650			
GMRZ 33 x 1,5P	45	12	5	2	40	90	750	M6	80
GMRZ 35 x 1,5P	45				750				
GMRZ 36 x 1,5P	50	12	5	2	45	100	800	M6	80
GMRZ 38 x 1,5P	50				800				
GMRZ 39 x 1,5P	52	12	5	2	47	110	900	M6	80
GMRZ 40 x 1,5P	52				900				
GMRZ 42 x 1,5P	53	12	5	2	52	120	1000	M6	80
GMRZ 45 x 1,5P	53				1000				
GMRZ 48 x 1,5P	58	14	6	2,5	52	125	1100	M6	80
GMRZ 50 x 1,5P	58				1100				
GMRZ 52 x 1,5P	62	14	6	2,5	56	130	1200	M6	80
GMRZ 55 x 2,0P					56	1200			
GMRZ 56 x 2,0P	65	14	6	2,5	59	140	1250	M6	80
GMRZ 60 x 2,0P					59	1250			
GMRZ 64 x 2,0P	70	14	6	2,5	62	150	1300	M6	80
GMRZ 65 x 2,0P					62	1300			
GMRZ 68 x 2,0P	72	16	7	3	64	160	1400	M8	190
GMRZ 72 x 2,0P					64	1400			
GMRZ 75 x 2,0P	75	16	7	3	65	175	1500	M8	190
GMRZ 80 x 2,0P					65	1500			
GMRZ 85 x 2,0P	80	16	7	3	68	200	1600	M8	190
GMRZ 85 x 2,0P					68	1600			
GMRZ 85 x 2,0P	85	16	7	3	73	225	1700	M8	190
GMRZ 85 x 2,0P					73	1700			
GMRZ 85 x 2,0P	85	16	7	3	78	235	1800	M8	190
GMRZ 85 x 2,0P					78	1800			
GMRZ 85 x 2,0P	85	16	7	3	78	250	2000	M8	190
GMRZ 85 x 2,0P					78	2000			
GMRZ 85 x 2,0P	85	16	7	3	78	270	2100	M8	190
GMRZ 85 x 2,0P					78	2100			
GMRZ 85 x 2,0P	85	16	7	3	78	290	2200	M8	190
GMRZ 85 x 2,0P					78	2200			

Precision Milling – Radial Locking | GMRZ



Specification Description

Model No.	Dimensions					Static Axial Load (kN)	Loosening Torque (kgf-cm)	Screw	Screw Torque			
	D	h	g	t	d					DIN	Max. kgf-cm	
GMRZ 68 x 2,0P	92	18	8	3.5	84	320	2300	M8	190			
GMRZ 70 x 2,0P						340	2400					
GMRZ 72 x 2,0P						95	86			350	2500	
GMRZ 75 x 2,0P							98			90	360	2600
GMRZ 76 x 2,0P										370	2700	
GMRZ 80 x 2,0P	105	20	10	4	96	430	2800					
GMRZ 85 x 2,0P	112				104	460	3000					
GMRZ 90 x 2,0P	118	24	12	5	108	520	3200			M10	360	
GMRZ 95 x 2,0P	123				113	550	3400					
GMRZ 100 x 2,0P	128				118	570	3600					
GMRZ 105 x 2,0P	137				125	600	3800					
GMRZ 110 x 2,0P	145				132	640	4000					
GMRZ 115 x 2,0P					137	620	3900					
GMRZ 118 x 2,0P					142	640	4200					
GMRZ 120 x 2,0P	155				147	700	4700					
GMRZ 125 x 2,0P					160	152	730	5000				
GMRZ 130 x 2,0P	165				26	12	5	160	760			5200
GMRZ 135 x 2,0P		175	163	780				5400				
GMRZ 138 x 2,0P		178	165	800				5500				
GMRZ 140 x 2,0P		180	175	820				5800				
GMRZ 145 x 2,0P		190	180	850				6000				
GMRZ 150 x 2,0P	195	28	12	5	180	900	6200	M10	360			
GMRZ 155 x 3,0P	200				190	980	6500					
GMRZ 160 x 3,0P	210				195	1000	6700					
GMRZ 165 x 3,0P	215	30	12	5	200	1030	7000	M10	360			
GMRZ 170 x 3,0P					220	210	1140			7500		
GMRZ 180 x 3,0P					230	220	1200			8000		
GMRZ 190 x 3,0P					240	230	1250			8500		
GMRZ 200 x 3,0P	250											

Instructions of Ordering :

Before ordering the aforesaid product, please indicate the desired model number. For example : GMKR25 x 1.5P.

- To order special left-hand thread precision nut, please indicate "-L". For example : GMKR25x1.5P-L.
- To order special precision nut with UK-system threads, please indicate "-U20" (i.e., 20 threads per inch). For example : GMKR25-U20.
- The in-stock inventories are not available for the aforesaid special parts. To purchase, please place the order in advance for the convenience of using.