

Model Description

# AXG / AYG Series

Material / Guiding	Drive Type	Accuracy Level	Wiring Method	Motor Model	Connector Type
VM Aluminum alloy / V grooved rail	3 Warm & warm gear	P Precision grade	R Right wiring L Left wiring	C 5-phase stepper X Not equipped	D D-SUB15 (VGA)

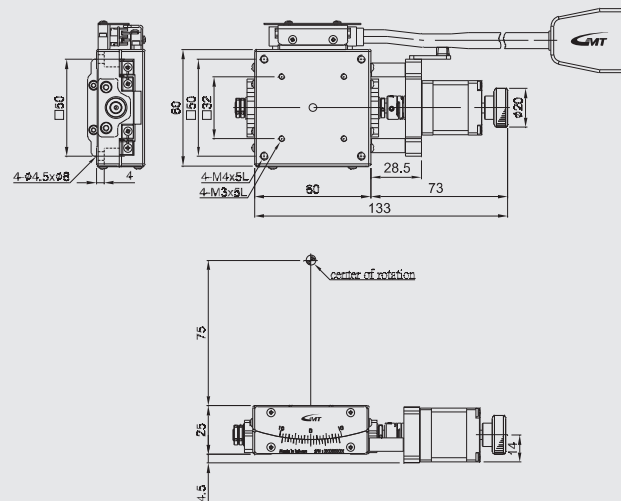
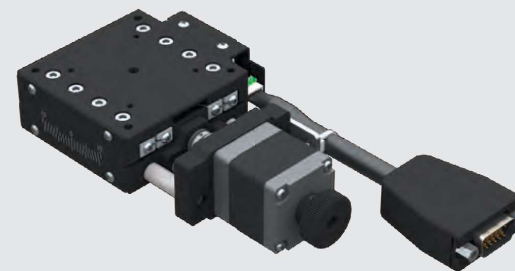
## AXG 6-75 VM - 3 P R - C D - 2 C

Axis & Serial Numbers	Table Size / Rotation Center	Connecting Cable (Optional)	Driver (Optional)
AXG $\alpha$ -Axis	6-75 □60 / 75mm	Blank Not equipped	Blank Not equipped
AXG $\alpha$ -Axis	6-100 □60 / 100mm	2 2m cable	C Standard specified by GMT
AYG $\alpha$ $\beta$ -Axis	6-75 □60 / 75mm	4 4m cable	
		6 6m cable	

Model No.	AXG6-75VM-3PR-CD	AXG6-100VM-3PR-CD	AYG6-75VM-3PR-CD		
Mechanical Specifications	Table Size	60X60 mm			
	Travel Stroke	$\pm 8^\circ$	$\pm 6^\circ$	Upper axis $\pm 8^\circ$ / Lower axis $\pm 6^\circ$	
	Drive Type	Warm & warm gear (Ratio 1 / 224)	Warm & warm gear (Ratio 1 / 292)	Upper : Warm & warm gear (Ratio 1 / 224) Lower : Warm & warm gear (Ratio 1 / 292)	
	Rail	Crossed-roller guiding			
	Stage Material / Surface Treatment	Aluminum alloy / Black anodized			
	Main Unit Weight	0.48 Kg		0.96 Kg	
	Coupling	FSMMS12-5*5			
	Accuracy Level	P : Precision grade			
Wiring Method	R : Right wiring (Inventory specification) / L : Left wiring				
* Precision Specifications	Resolution (Pulse)	Full / Half	0.008°	0.0063°	Upper axis : 0.008° Lower axis : 0.0063°
	Maximum Speed (Full Step)		15 deg / sec	10.75 deg / sec	Upper axis : 16 deg / sec Lower axis : 12.5 deg / sec
	Repeatability Precision		$\pm 0.003^\circ$		Follow each single axis precision
	Load Capacity		5.1 Kgf		4.6 Kgf
	Missed Step			0.01°	
	Dynamic Straightness		75 $\pm$ 0.15 mm	100 $\pm$ 0.15 mm	75 $\pm$ 0.03 mm
Electrical Specifications	Dynamic Parallelism		0.01 mm	0.02 mm	
	Motor	Type / Shaft Numbers	2-phase stepper / 28 double shaft		
		Brand / Model	GMT / 2MS-N28U45A		
		Driver Brand / Model	Please refer to motor / driver cross-reference table (page 0279-0280)		
	Connector	Stage Side Connector	15-pin male end connector D-SUB		
		Controller Side Connector	15-pin female end connector D-SUB (optional)		
	Sensor	Origin Sensor	Photoelectric sensor EE-SX4134		
		Limit Sensor			
Origin Approximation Sensor		N / A			
Power Voltage		24V $\pm$ 10%			
Control Output		NPN open collector output under 24V 8mA			
	Output Control	Testing (sensing) : output transistor OFF (closed)			



### AXG6-75VM-3PR-CD

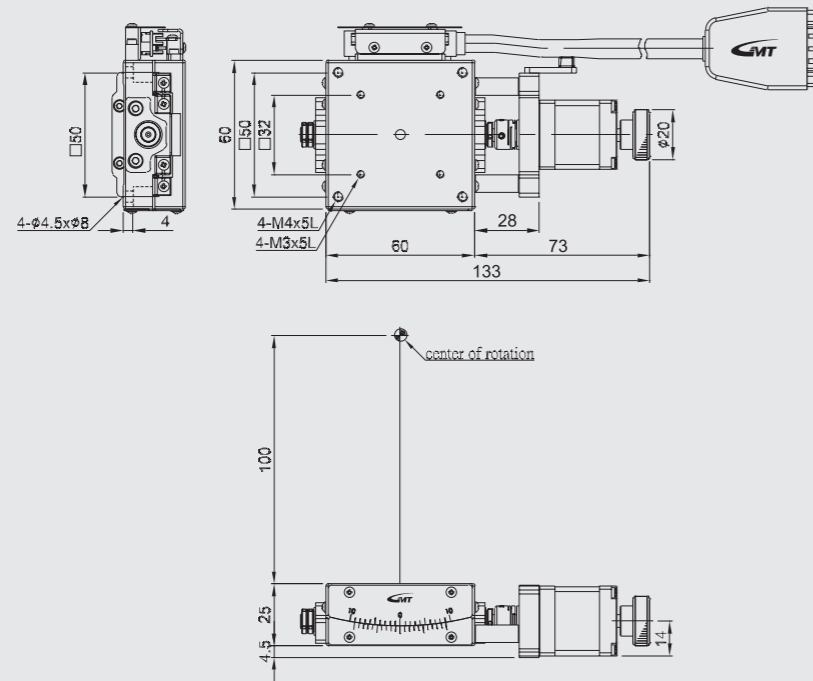
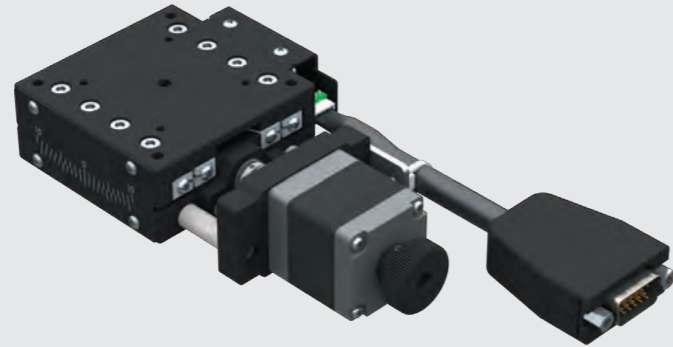


©GMT motorized stage is equipped with D-SUB connector as the standard one which is available to be changed to HRS or NJC on request as per reference stated on P.0492  
 ©In case HRS connection cable is required, please consult to your regional sales.  
 \*Accuracy specification per single axis

$\alpha$ -Axis



AXG6-100VM-3PR-CD



$\alpha\beta$ -Axis



AYG6-75VM-3PR-CD

