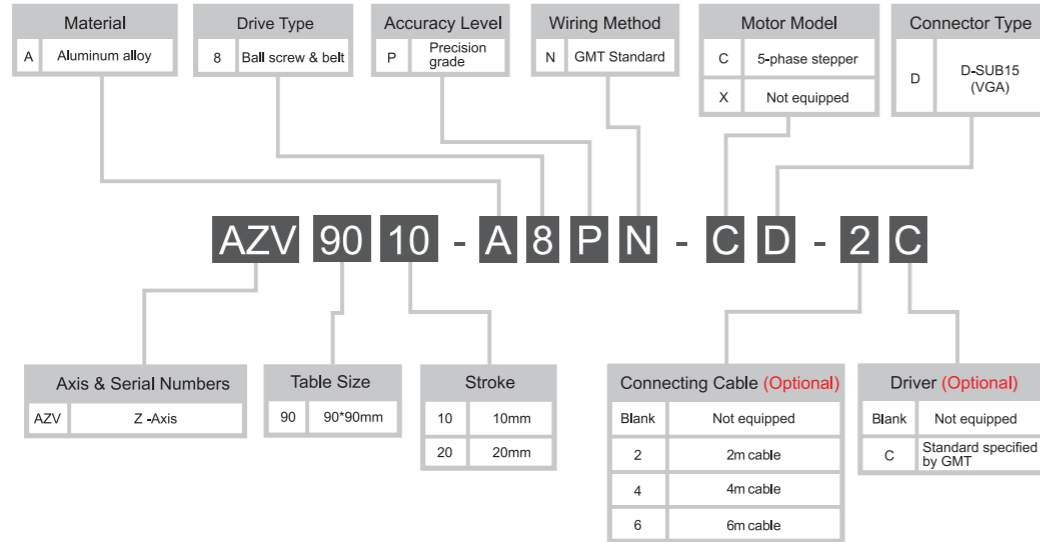


AZV90 series

Model Description



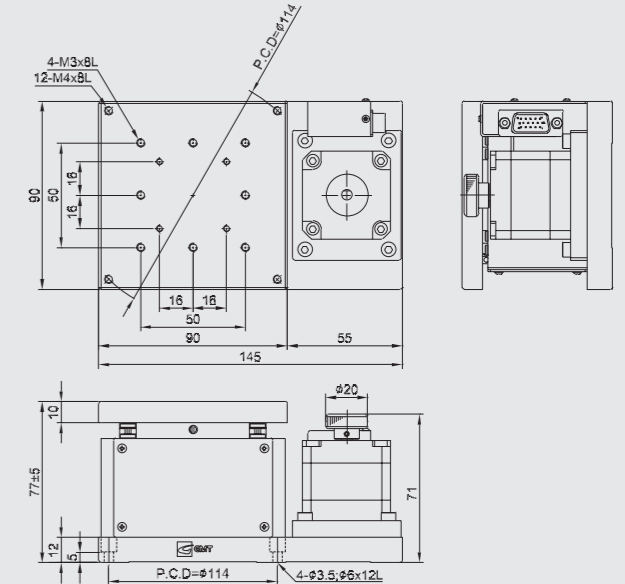
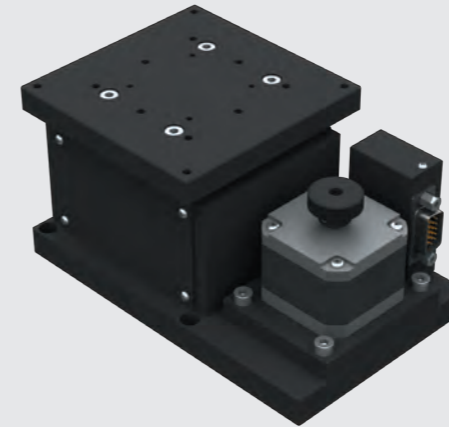
Model No.	AZV9010-A8PN-CD	AZV9020-A8PN-CD	
Mechanical Specifications	Table Size	90X90 mm	
	Travel Stroke	10 mm	20 mm
	Drive Type	Ball screw Ø8 lead 1mm & belt	
	Rail	Crossed roller guiding	
	Stage Material / Surface Treatment	Aluminum alloy / Black anodized	
	Main Unit Weight	1.85 Kg	1.95 Kg
	Coupling	Not equipped	
Precision Specifications	Accuracy Level	P : Precision grade N : GMT Standard	
	Resolution (Pulse)	Full / Half	1 µm / 0.5 µm
	Maximum Speed (Full Step)		5 mm / sec
	Positioning Precision		10 µm
	Repeatability Precision		±0.5 µm
	Load Capacity		5 Kgf
	Missed Step		1 µm
Electrical Specifications	Parallelism		60 µm
	Dynamic Straightness		5 µm
	Dynamic Parallelism		30 µm
	Motor	Type / Shaft Numbers	5-phase stepper / □42 double shafts
		Brand / Model	Sanyo / 103F5505-8211
	Connector	Driver Brand / Model	Please refer to motor / driver cross-reference table (page 0279-0280)
		Stage Side Connector	15-pin male end connector D-SUB
	Controller Side Connector	15-pin female end connector D-SUB (optional)	
Sensor	Origin Sensor	Photoelectric sensor EE-SX4134	
	Limit Sensor		
	Origin Approximation Sensor	N / A	
	Power Voltage	24V±10%	
	Control Output	NPN open collector output under 24V 8mA	
Output Control	Testing (sensing) : output transistor OFF (closed)		

©GMT motorized stage is equipped with D-SUB connector as the standard one which is available to be changed to HRS or NJC on request as per reference stated on P.0492
 ©In case HRS connection cable is required, please consult to your regional sales.

Z-Axis



AZV9010-A8-PN-CD



AZV9020-A8-PN-CD

