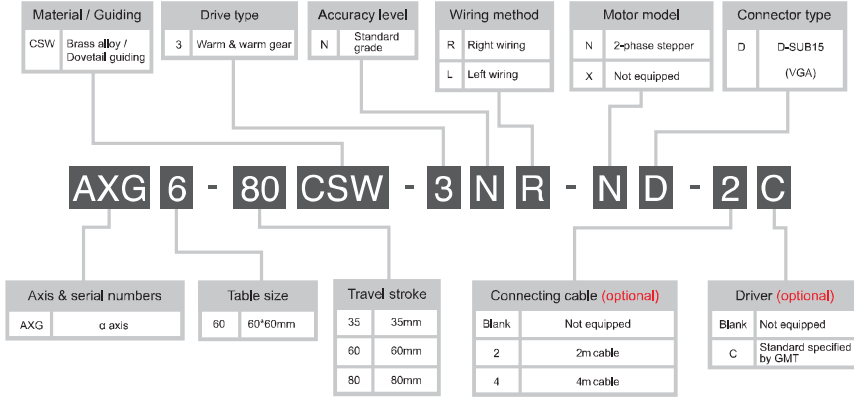


Model description

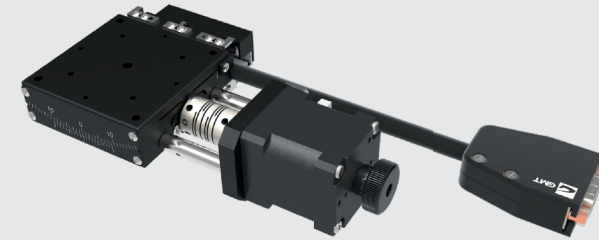
AXG6 series



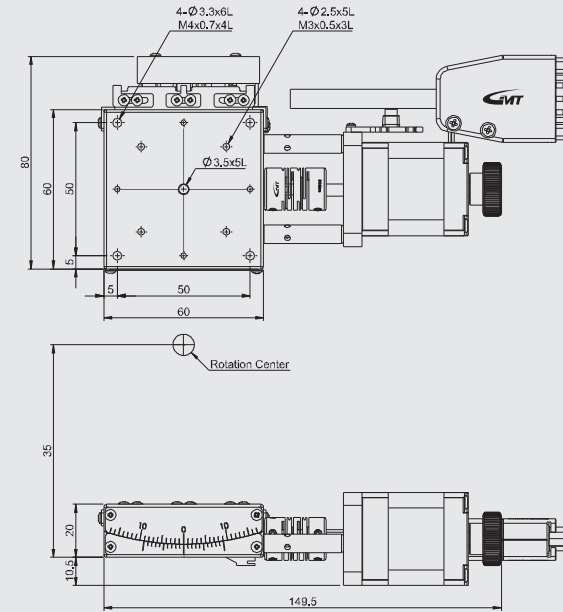
Model description		AXG6-35CSW-3NR-ND	AXG6-60CSW-3NR-ND	AXG6-80CSW-3NR-ND	
		AXG6-35CSW-3NL-ND	AXG6-60CSW-3NL-ND	AXG6-80CSW-3NL-ND	
Mechanical specifications	Table size	60x60 mm			
	Travel stroke	$\pm 12^\circ$	$\pm 10^\circ$	$\pm 7^\circ$	
	Drive type	Warm & warm gear (ratio1 / 188)	Warm & warm gear (ratio1 / 276)	Warm & warm gear (ratio1 / 356)	
	Rail	Dovetail slide			
	Stage material/Surface treatment	Brass alloy / Black fluororesin			
	Main unit weight	0.8 Kg			
	Coupling	FAMML16-4*5			
Precision specifications	Accuracy level	N : Standard grade			
	Wiring method	R : Right wiring (Inventory specification) / L : Left wiring			
	Resolution (pulse)	Full / Half	$\approx 0.0095^\circ / \approx 0.0047^\circ$	$\approx 0.0065^\circ / \approx 0.0032^\circ$	$\approx 0.005^\circ / \approx 0.0025^\circ$
	Maximum speed (full step)		15° / sec	7.5° / sec	7° / sec
	Positioning precision		0.2°		
	Repeatability precision		$\pm 0.05^\circ$		
	Load capacity		6 Kgf		
Electrical specifications	Motor	Type/Shaft numbers	2-phase stepper / □28 double shafts		
		Brand/ Model	GMT / 2MS-N35D36A		
	Driver brand/Model		GMT/GTR22G-D (Additional options)		
	Connector	Stage side connector	15-pin male end connector D-SUB		
	Controller side connector	15-pin female end connector D-SUB (optional)			
Sensor	Origin sensor	Photoelectric sensor EE-SX4134			
	Limit sensor				
	Power voltage	24V \pm 10%			
	Control output	NPN open collector output under 24V 8mA			
	Output control	Testing (sensing); output transistor OFF (closed)			

©GMT Standard Motorized Stage series is equipped with D-SUB connector as the standard one which is available to be changed to HRS or NJC on request as per reference stated on P.160.
 ◻ In case HRS connection cable is required, please consult to your regional sales.

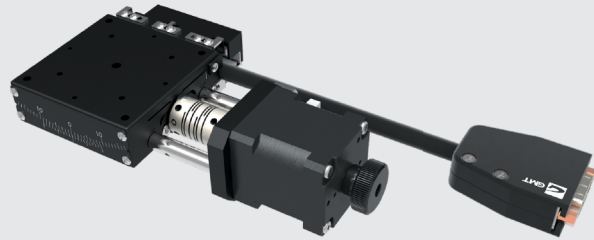
α axis



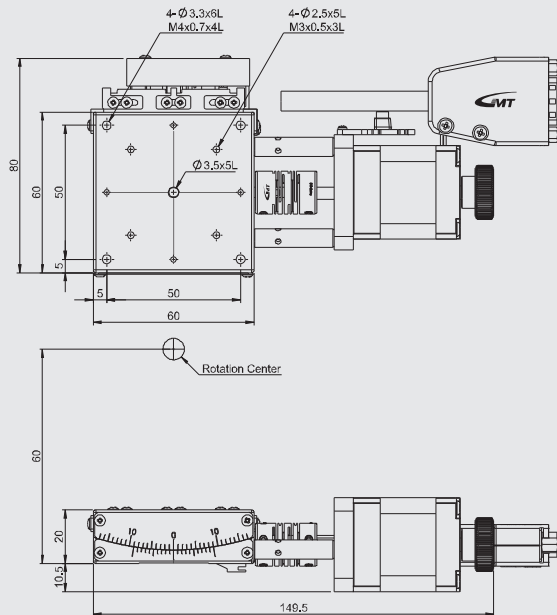
AXG6-35CSW-3NR-ND



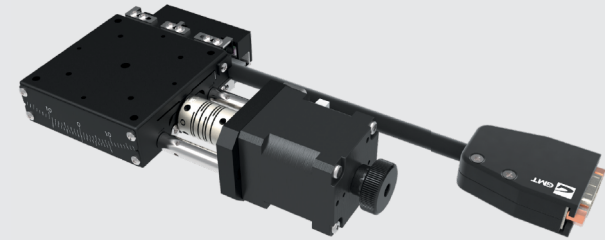
© Photo is AXG6-80CSW-3NR-ND ◦



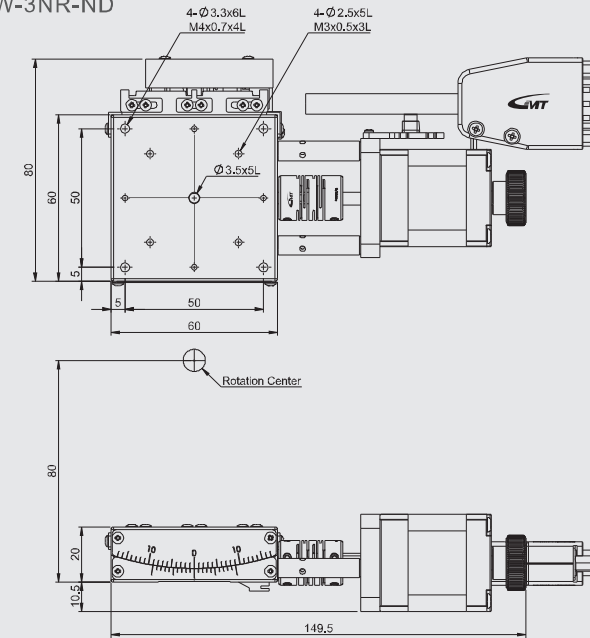
AXG6-60CSW-3NR-ND



© Photo is AXG6-80CSW-3NR-ND.



AXG6-80CSW-3NR-ND



© Photo is AXG6-80CSW-3NR-ND.