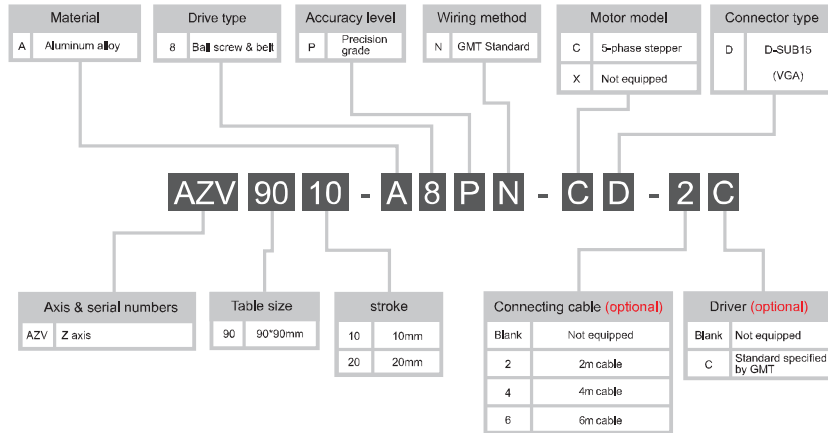


Model description

AZV90 series



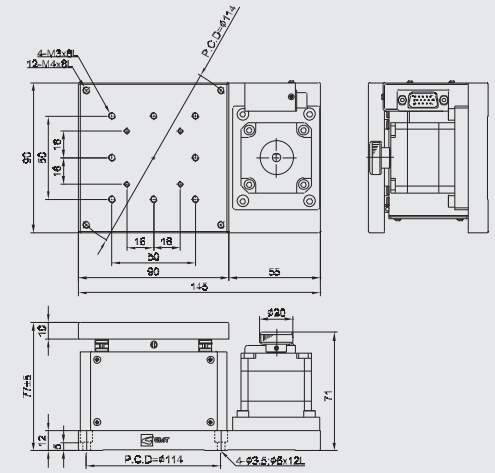
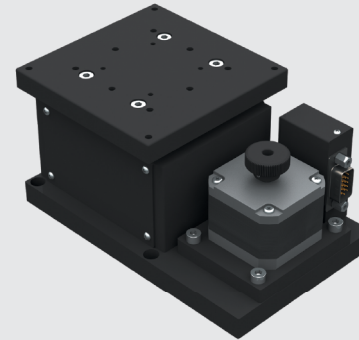
Model Number	AZV9010-A8PN-CD	AZV9020-A8PN-CD		
Mechanical specifications	Table size	90X90 mm		
	Travel stroke	10 mm	20 mm	
	Drive type	Ball screw Ø8 lead 1mm & belt		
	Rail	Crossed roller guiding		
	Stage material/Surface treatment	Aluminum alloy / Black anodized		
	Main unit weight	1.85 Kg	1.95 Kg	
	Coupling	Not equipped		
	Accuracy level	P : Precision grade		
	Wiring method	N : GMT Standard		
	Precision specifications	Resolution (pulse)	Full / Half	1 µm / 0.5 µm
Maximum speed (full step)			5 mm / sec	
Positioning precision			10 µm	
Repeatability precision			±0.5 µm	
Load capacity			5 Kgf	
Missed step			1 µm	
Parallelism			60 µm	
Dynamic straightness			5 µm	
Dynamic parallelism			30 µm	
Electrical specifications		Motor	Type/Shaft numbers	5-phase stepper / □42 double shafts
		Brand / Model	Sanyo / 103F5505-8211	
	Connector	Driver brand/Model	Please refer to motor / driver cross-reference table (page E3)	
		Stage side connector	15-pin male end connector D-SUB	
		Controller side connector	15-pin female end connector D-SUB (optional)	
	Sensor	Origin sensor	Photoelectric sensor EE-SX4134	
		Limit sensor	N / A	
		Origin approximation sensor	24V±10%	
		Power voltage	NPN open collector output under 24V 8mA	
		Control output	Testing (sensing) : output transistor OFF (closed)	
Output control				

* GMT motorized stage is equipped with D-SUB connector as the standard one which is available to be changed to HRS or NJC on request as per reference stated on P.171
* In case HRS connection cable is required, please consult to your regional sales.

Z axis



AZV9010-A8-PN-CD



AZV9020-A8-PN-CD

