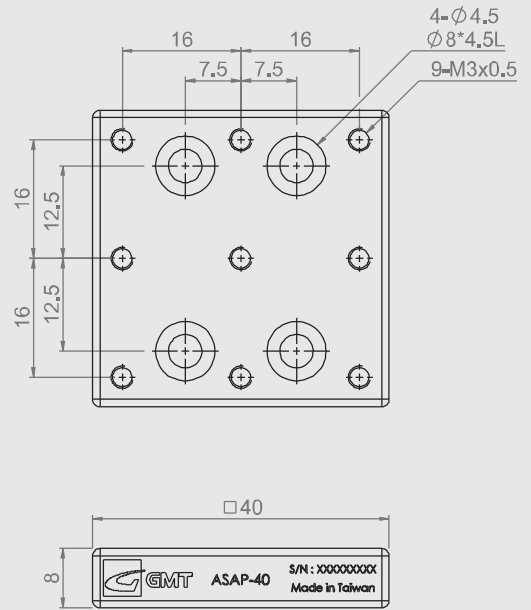
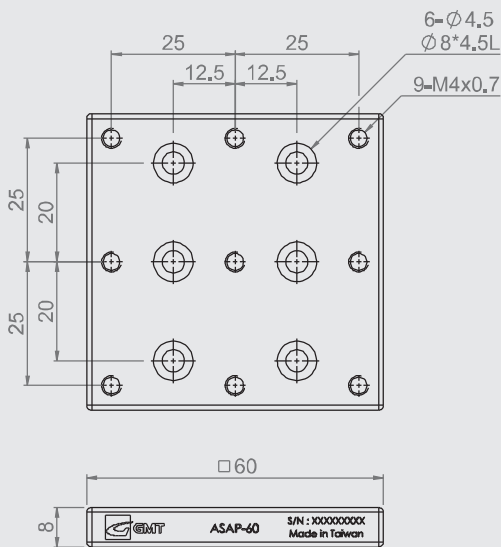


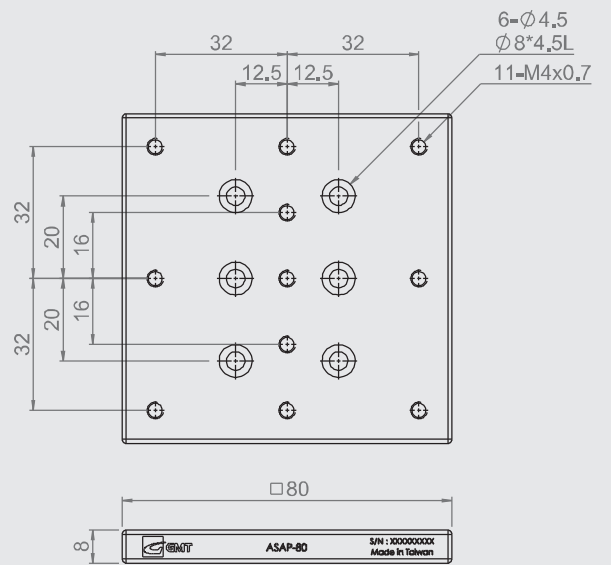
ASAP-40



ASAP-60



ASAP-80



Specification

Unit: mm

Model no.	Table size	Material	Surface finish	Suitable for the following GMT stage models
ASAP-40	40*40	Aluminum alloy	Black anodized	MC1B-40, MC2B-40, MC4B-40
ASAP-60	60*60			MC1B-60, MC1B-90, MC1B-140
ASAP-80	80*80			MC2B-60, MC2B-90, MC4B-60, MC4B-90