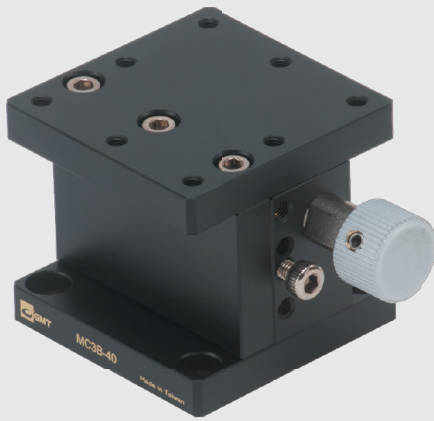
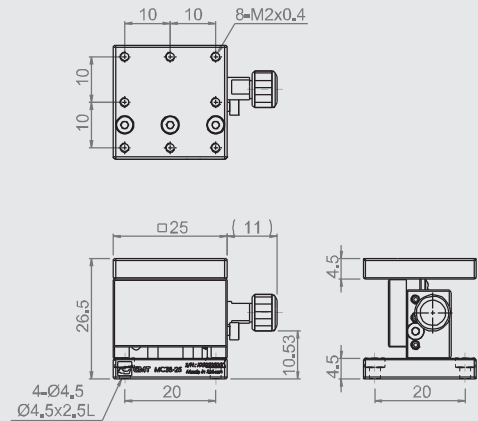


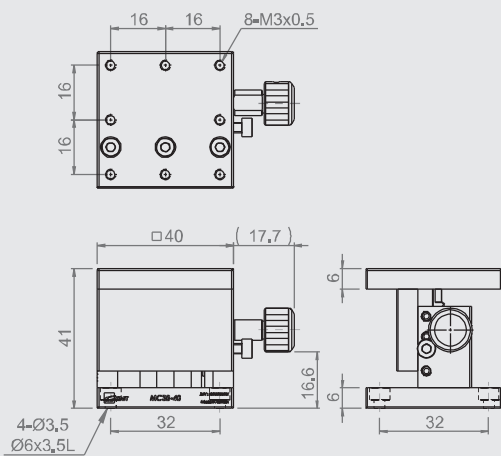
MC3B-40



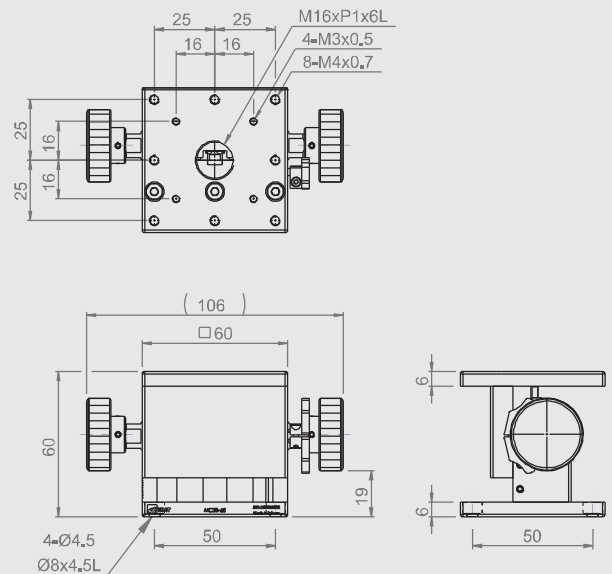
MC3B-25



MC3B-40



MC3B-60



Specification

Unit: mm

Model no.	Table size	Travel stroke	Movement per knob rotation	Minimum reading	Straightness accuracy	Allowable Loading (kgf)	Weight kg	Material	Surface finish
MC3B-25	25*25	±2.5	≒ 8	0.1 mm / Vernier	30 μm	0.7	0.08	Brass alloy	Black fluororesin finished
MC3B-40	40*40	±5	≒ 13			1.0	0.12		
MC3B-60	60*60	±10	≒ 18			1.5	0.47	Aluminum alloy	Black anodized

★ The Vernier is on the opposite side of the mounting surface of the fixture.