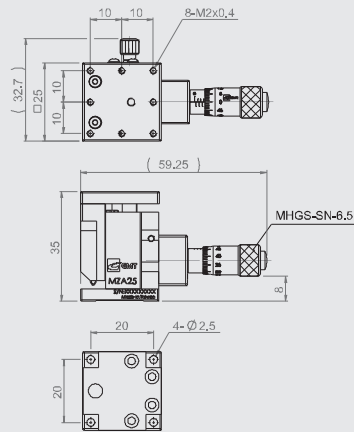


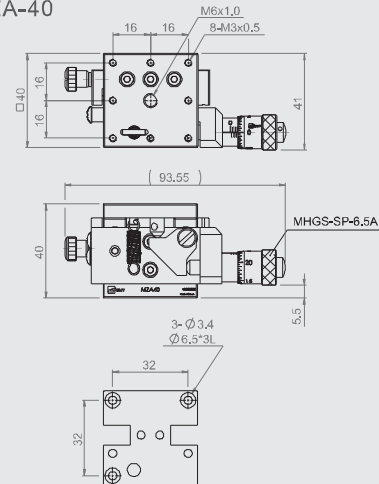
MZA-60



MZA-25



MZA-40

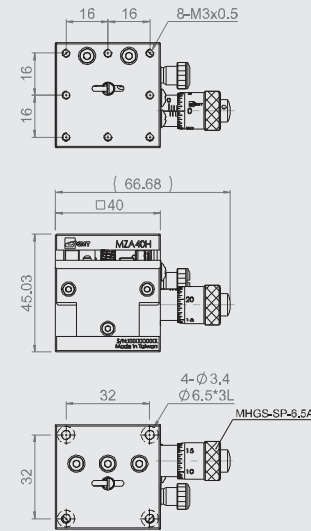


Specification

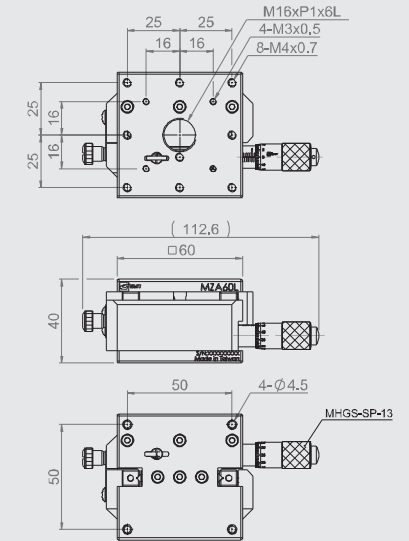
Unit: mm

Model no.	Table size	Travel stroke	Micrometer minimum reading	Parallelism	Straightness accuracy	Allowable Loading (kgf)	Weight kg	Material	Surface finish
MZA-25	25*25	± 2.0	10 μ m	100 μ m	3 μ m	1	0.06	Aluminum alloy	Black anodized
MZA-40	40*40	± 3.0				1	0.2		
MZA-40H	40*40	± 3.0				2	0.2		
MZA-60L	60*60	± 3.0				2	0.3		
MZA-60	60*60	± 5.0				4	0.6		
MZA-80	80*80					3	1.0		

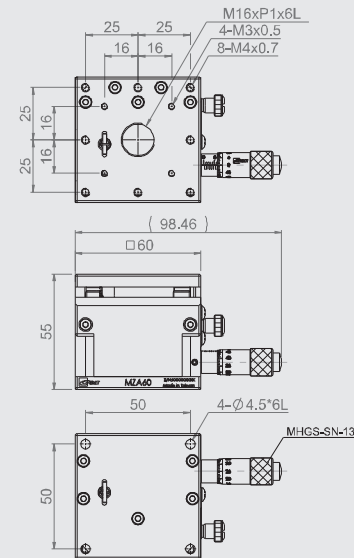
MZA-40H



MZA-60L



MZA-60



MZA-80

