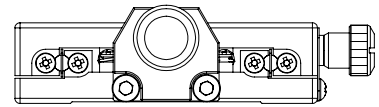
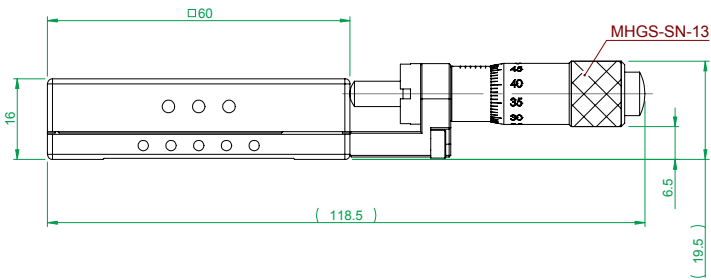
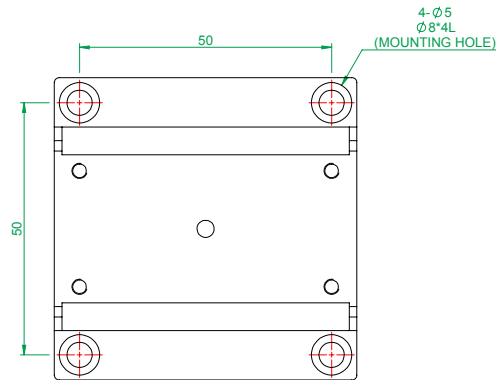
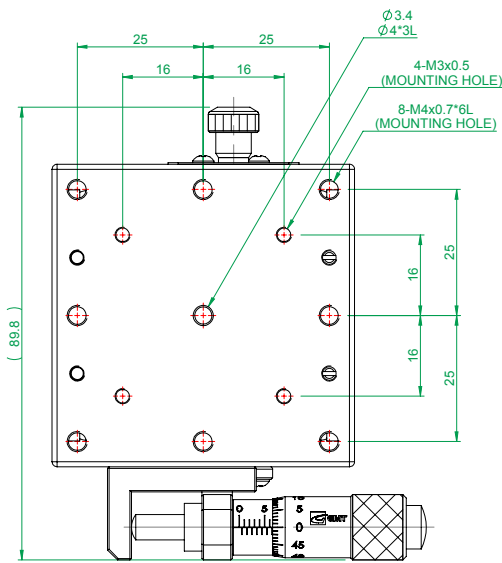


MX(Y)60- S series
base mounting dimensions

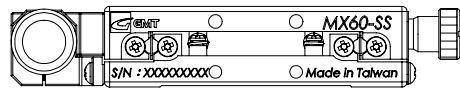
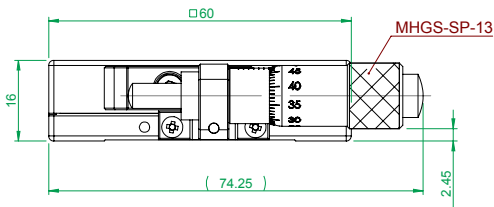


(FM0758A)

Nominal Tolerance		Precision machining: 1.6	Verify Chief	Date	Remarks	Model no.		MX60-SC
Dimensions	Allowable deviation	Fine machining: 6.3	Drawer	Date	Surface finish	Electroless nickel plating		Part Number
0.5 ~ 4	±0.05	Initial machining: 2.5	Designer	Date	Material	Contact to regional sales	QTY	3122-MX60-SC-10
4 ~ 16	±0.07	Enthusiasm /United / Innovation/Brilliant			Heat treatment	N/A		Drawing name
16 ~ 68	±0.1	GMT GLOBAL INC.			Unit	mm	Print	A4
68 ~ 250	±0.2	Http://www.gmtglobalinc.com			Scale	1:1.5	Weight	397.54g
250 ~ 1000	±0.3	TEL:+886 4 7688320 FAX:+886 4 7688314			Profile			Version
1000 ~ 1500	±0.5							

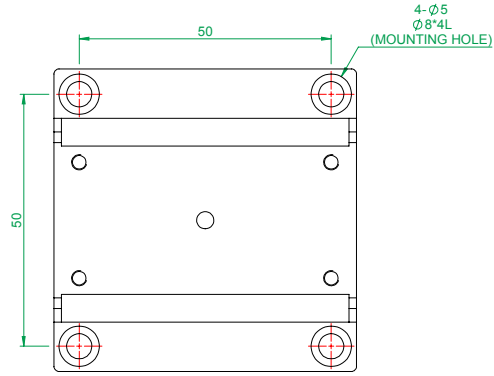
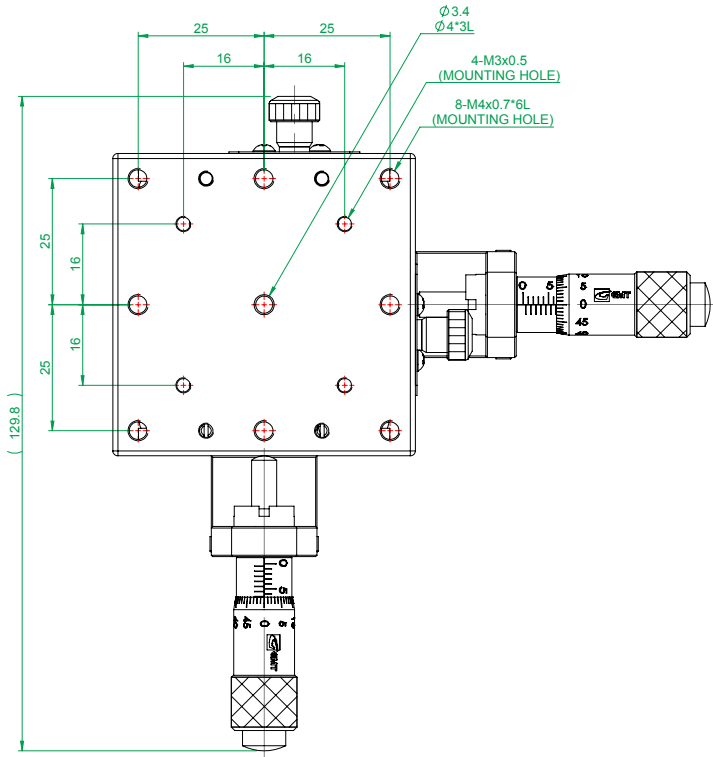


MX(Y)60- S series
base mounting dimensions

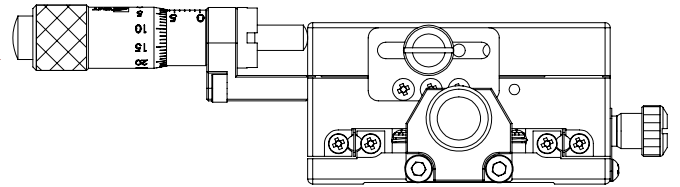
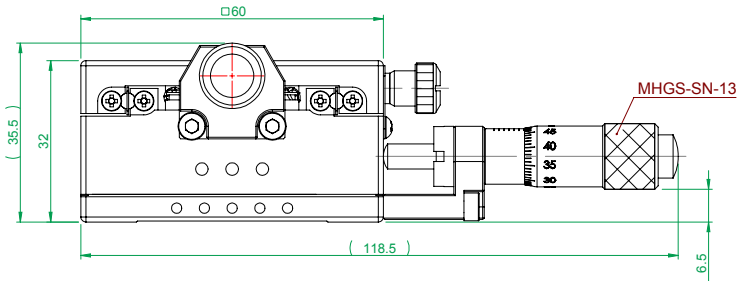


(FM0758A)

Nominal Tolerance		Precision machining: 1.6	Verify Chief	Date	Remarks	Model no.	MX60-SS	
Dimensions	Allowable deviation	Fine machining: 6.3	Drawer	Date	Surface finish	Part Number	3122-MX60-SS-10	
0.5 ~ 4	±0.05	Initial machining: 2.5	Designer	Date	Material	Drawing name		
4 ~ 16	±0.07	Enthusiasm /United / Innovation/Brilliant		2007/4/2	Contact to regional sales	Drawing no.	(P.097)MX(Y)60-SC(S)	
16 ~ 68	±0.1	GMT GLOBAL INC.			QTY	1 /PCS		
68 ~ 250	±0.2	Http://www.gmtglobalinc.com			Heat treatment	N/A		
250 ~ 1000	±0.3	TEL:+886 4 7688320 FAX:+886 4 7688314			Unit	mm	Print	A4
1000 ~ 1500	±0.5				Scale	1:1.5	Weight	395.32g
						Profile		Version

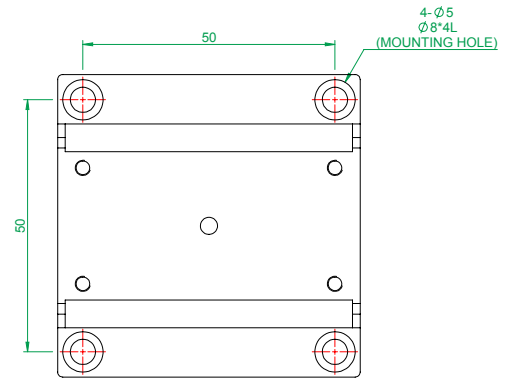
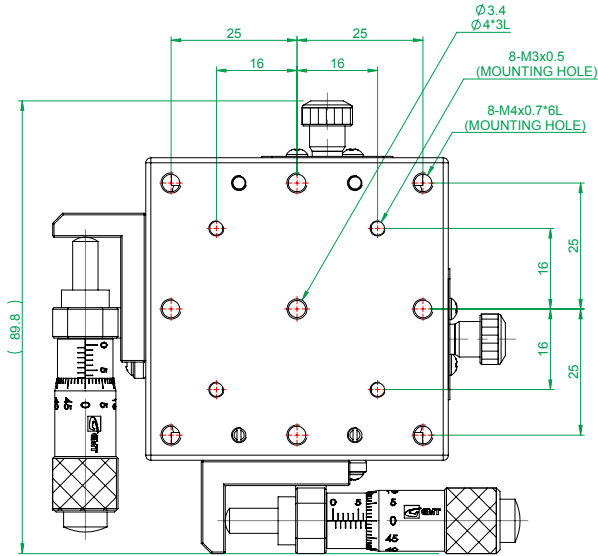


MX(Y)60- S series
base mounting dimensions

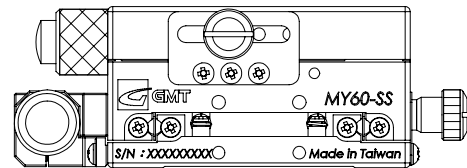
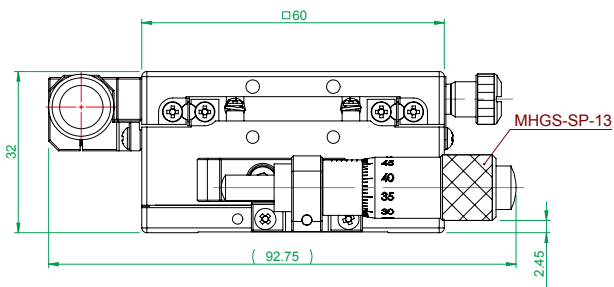


(FM0758A)

Nominal Tolerance		Precision machining: 1.6	Verify Chief	Date	Remarks	Model no.		MY60-SC
Dimensions	Allowable deviation	Fine machining: 6.3	Drawer	Date	Surface finish	Electroless nickel plating		Part Number
0.5 ~ 4	± 0.05	Initial machining: 2.5	Designer	Date	Material	Contact to regional sales	QTY	3122-MY60-SC-10
4 ~ 16	± 0.07	Enthusiasm /United / Innovation/Brilliant			Heat treatment	N/A		Drawing name
16 ~ 68	± 0.1	GMT GLOBAL INC.			Unit	mm	Print	A4
68 ~ 250	± 0.2	Http://www.gmtglobalinc.com			Scale	1:1.5	Weight	814.61g
250 ~ 1000	± 0.3	TEL:+886 4 7688320 FAX:+886 4 7688314			Profile		Drawing no.	
1000 ~ 1500	± 0.5				Version		(P.097)MX(Y)60-SC(S)	



MX(Y)60-S series
base mounting dimensions



(FM0758A)

Nominal Tolerance		Precision machining: 1.6	Verify Chief	Date	Remarks	Model no.		MY60-SS
Dimensions	Allowable deviation	Fine machining: 6.3	Drawer	Date	Surface finish	Part Number		3122-MY60-SS-10
0.5 ~ 4	± 0.05	Initial machining: 2.5	Designer	Date	Material	Contact to regional sales	QTY	1 /PCS
4 ~ 16	± 0.07	Enthusiasm /United / Innovation/Brilliant			Heat treatment	N/A		Drawing name
16 ~ 68	± 0.1	GMT GLOBAL INC.			Unit	mm	Print	A4
68 ~ 250	± 0.2	Http://www.gmtglobalinc.com			Scale	1:1.5	Weight	809.33g
250 ~ 1000	± 0.3	TEL:+886 4 7688320 FAX:+886 4 7688314			Profile			
1000 ~ 1500	± 0.5				Version			