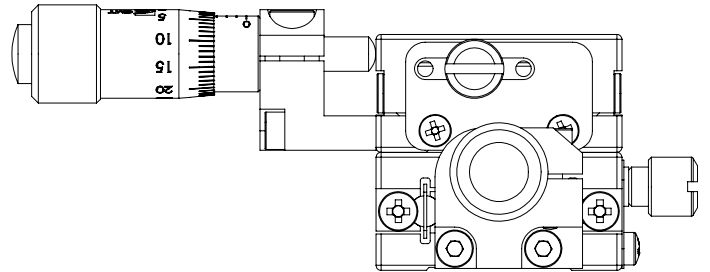
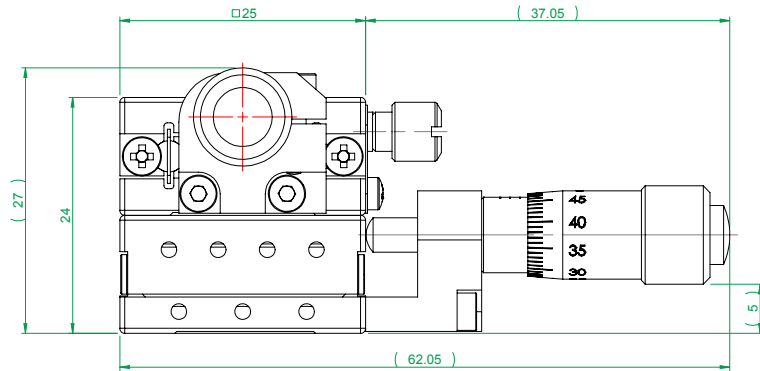


MX(Y)25-S series
base mounting dimensions



(FM0758A)

Nominal Tolerance		Precision machining: 1.6	Verify Chief	Date	Remarks	Model no.		MY25-SC
Dimensions	Allowable deviation	Fine machining: 6.3	Drawer	Date	Surface finish	Part Number		3122-MY25-SC-10
0.5 ~ 4	±0.05	Initial machining: 2.5	Designer	Date	Material	Contact to regional sales	QTY	1 /PCS
4 ~ 16	±0.07	Enthusiasm /United / Innovation/Brilliant			Heat treatment	N/A		Drawing name
16 ~ 68	±0.1	GMT GLOBAL INC.			Unit	mm	Print	A4
68 ~ 250	±0.2	Http://www.gmtglobalinc.com			Scale	1.3:1	Weight	129.89g
250 ~ 1000	±0.3	TEL:+886 4 7688320 FAX:+886 4 7688314			Profile			Version
1000 ~ 1500	±0.5							