

MX25-AC-18



MX25-AS-18



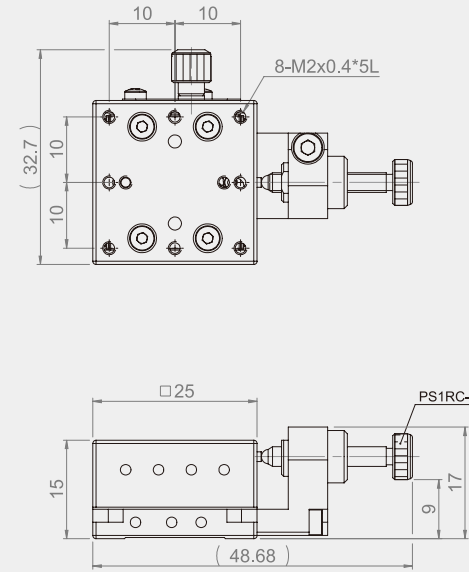
MY25-AC-18



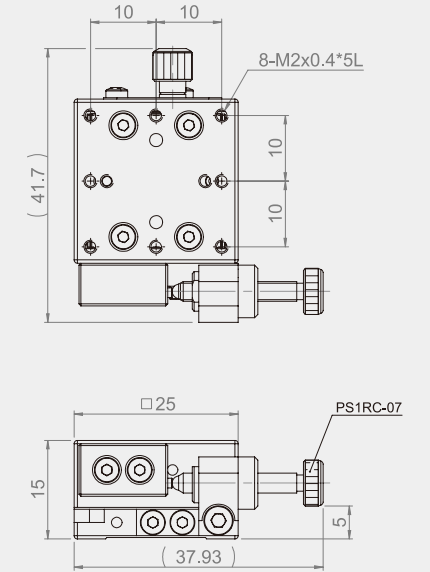
MY25-AS-18



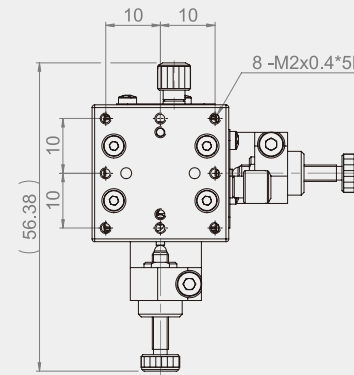
MX25-AC-18



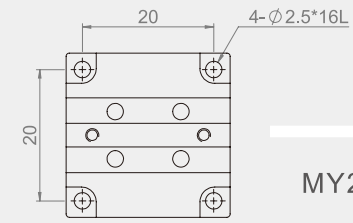
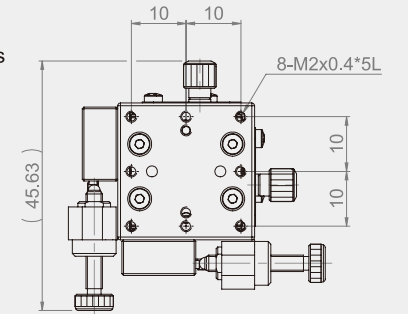
MX25-AS-18



MY25-AC-18



MY25-AS-18



MX(Y)25-A-18
Mounting Dimensions

Specification

Unit : mm

Model No.	Table Size	Axis	Feed Position	Travel Stroke	Feeding Per Knob Rotation	Straightness Accuracy (μm)	Load Capacity (kgf)	Weight (kg)	Material	Surface Finish
MX25-AC-18	25*25	X-axis	Central	±3.2	0.5	3	1	0.04	Aluminum alloy	Black anodized
MX25-AS-18			Side							
MY25-AC-18		XY-axis	Central							
MY25-AS-18			Side							

MX30-AC-18



MX30-AS-18



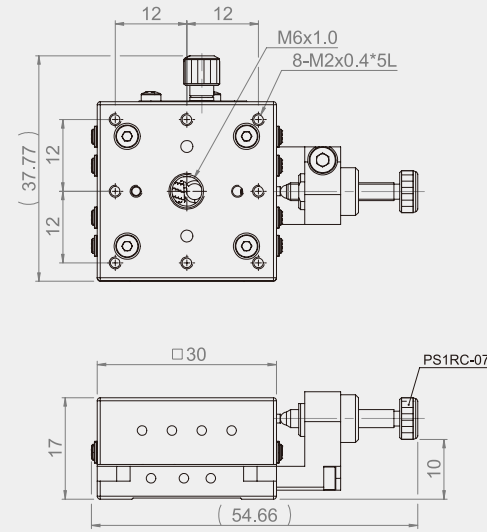
MY30-AC-18



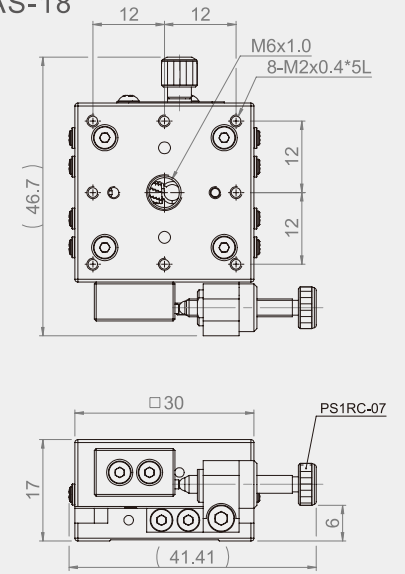
MY30-AS-18



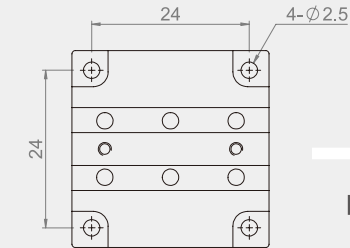
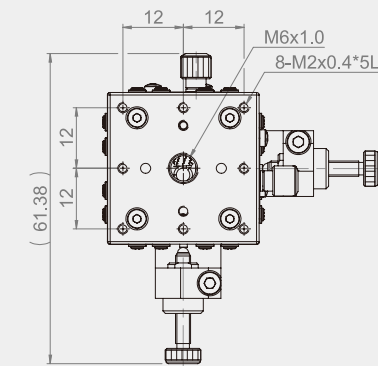
MX30-AC-18



MX30-AS-18

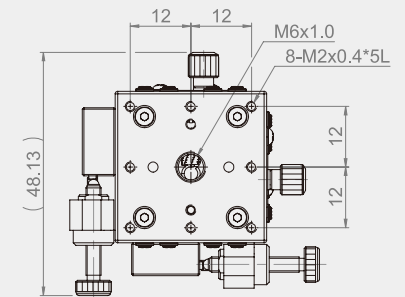


MY30-AC-18



MX(Y)30-A-18
Mounting Dimensions

MY30-AS-18



Specification

Unit : mm

Model No.	Table Size	Axis	Feed Position	Travel Stroke	Feeding Per Knob Rotation	Straightness Accuracy (μm)	Load Capacity (kgf)	Weight (kg)	Material	Surface Finish
MX30-AC-18	30*30	X-axis	Central	±3.2	0.5	3	1	0.045	Aluminum alloy	Black anodized
MX30-AS-18			Side							
MY30-AC-18		XY-axis	Central							
MY30-AS-18			Side							

MX40-AC-18



MX40-AS-18



MY40-AC-18



MY40-AS-18

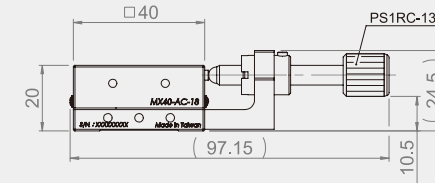
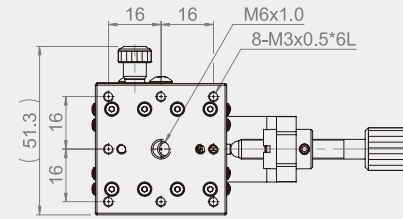


Specification

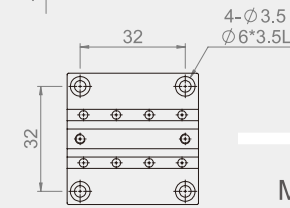
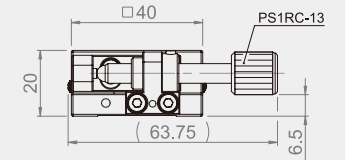
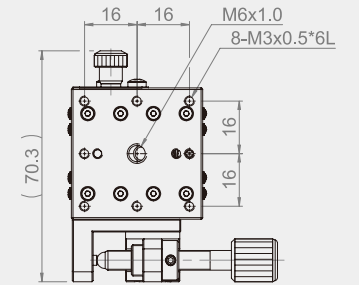
Unit : mm

Model No.	Table Size	Axis	Feed Position	Travel Stroke	Feeding Per Knob Rotation	Straightness Accuracy (μm)	Load Capacity (kgf)	Weight (kg)	Material	Surface Finish
MX40-AC-18	40*40	X-axis	Central	±6.5	0.5	3	2	0.14	Aluminum alloy	Black anodized
MX40-AS-18			Side							
MY40-AC-18		XY-axis	Central				1.8	0.30		
MY40-AS-18			Side							

MX40-AC-18

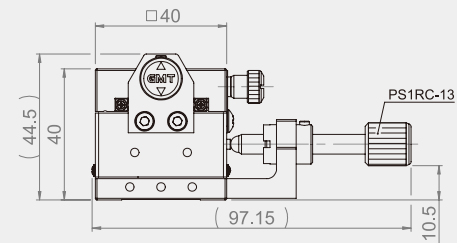
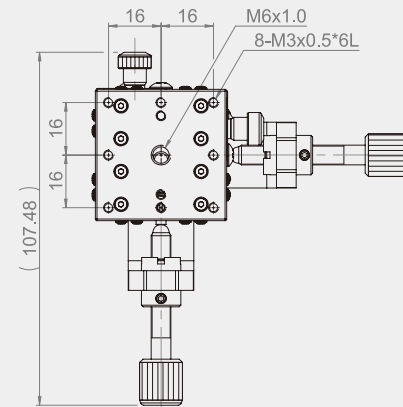


MX40-AS-18

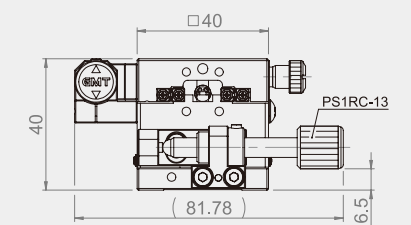
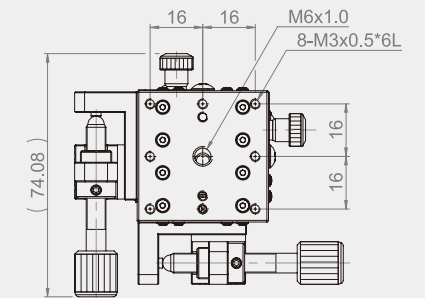


MX(Y)40-A-18 Mounting Dimensions

MY40-AC-18



MY40-AS-18



MX50-AC-18



MX50-AS-18



MY50-AC-18



MY50-AS-18

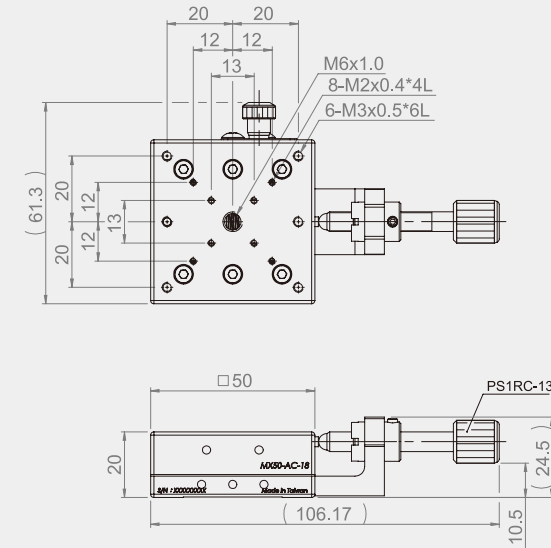


Specification

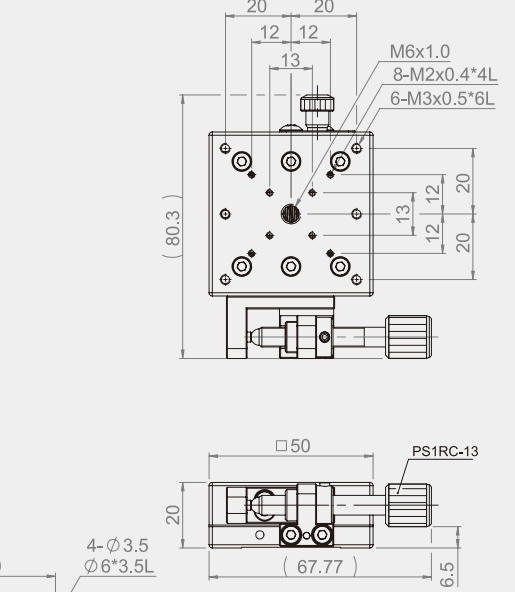
Unit : mm

Model No.	Table Size	Axis	Feed Position	Travel Stroke	Feeding Per Knob Rotation	Straightness Accuracy (μm)	Load Capacity (kgf)	Weight (kg)	Material	Surface Finish
MX50-AC-18	50*50	X-axis	Central	±6.5	0.5	3	4	0.22	Aluminum alloy	Black anodized
MX50-AS-18			Side							
MY50-AC-18		XY-axis	Central							
MY50-AS-18			Side							

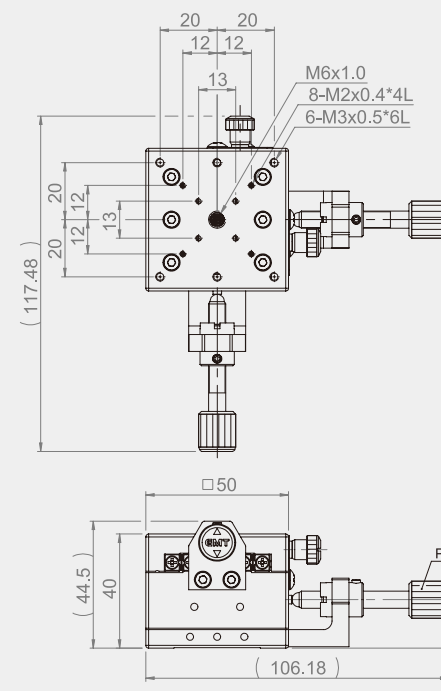
MX50-AC-18



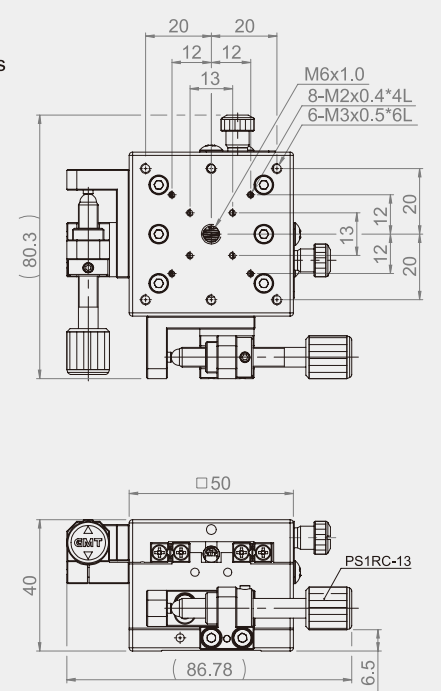
MX50-AS-18



MY50-AC-18

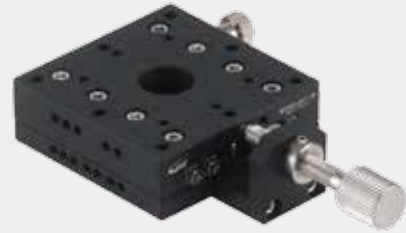


MY50-AS-18



MX(Y)50-A-18 Mounting Dimensions

MX60-AC-18



MX60-AS-18



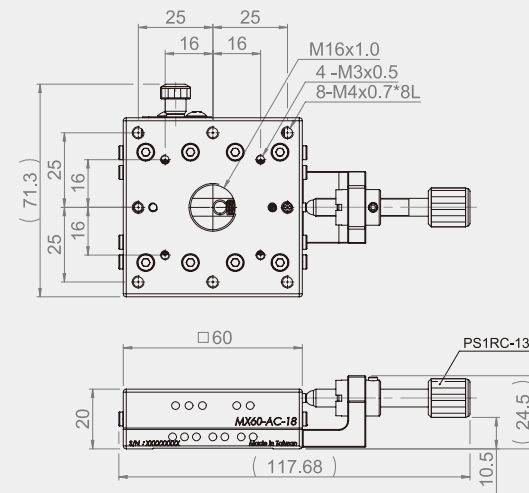
MY60-AC-18



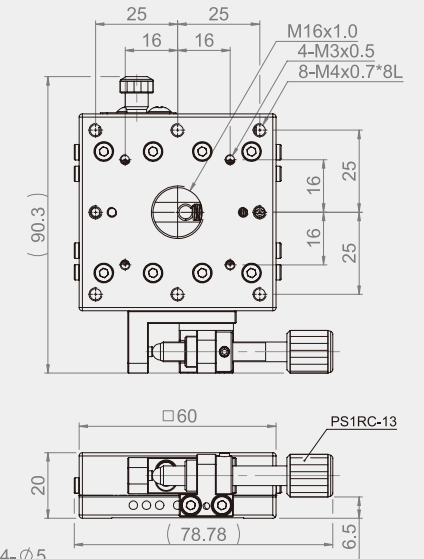
MY60-AS-18



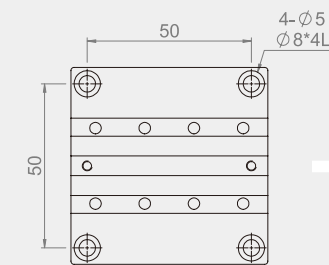
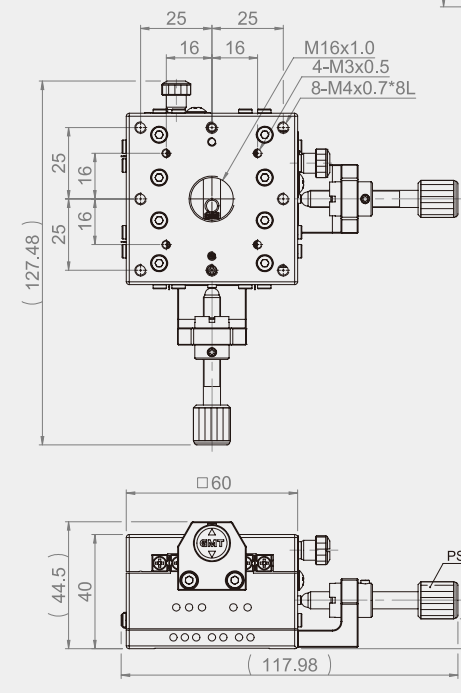
MX60-AC-18



MX60-AS-18

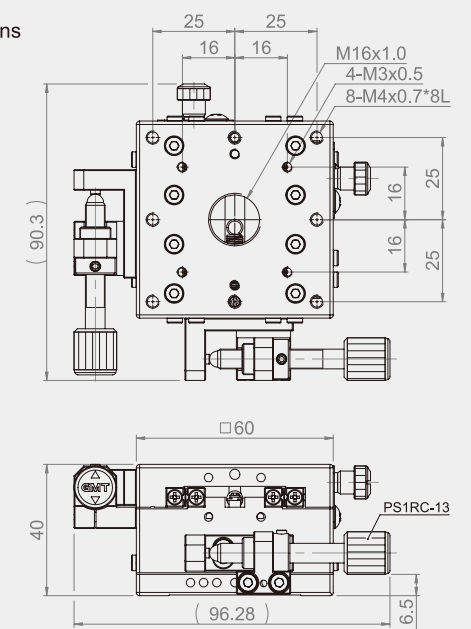


MY60-AC-18



MX(Y)60-A-18 Mounting Dimensions

MY60-AS-18



Specification

Model No.	Table Size	Axis	Feed Position	Travel Stroke	Feeding Per Knob Rotation	Straightness Accuracy (µm)	Load capacity (kgf)	Weight (kg)	Material	Surface Finish
MX60-AC-18	60*60	X-axis	Central	±6.5	0.5	3	5	0.25	Aluminum alloy	Black anodized
MX60-AS-18			Side							
MY60-AC-18		XY-axis	Central				4.5	0.52		
MY60-AS-18			Side							

Unit : mm

Product Specification

Product Specification

MX100-AC-18



MX100-AS-18



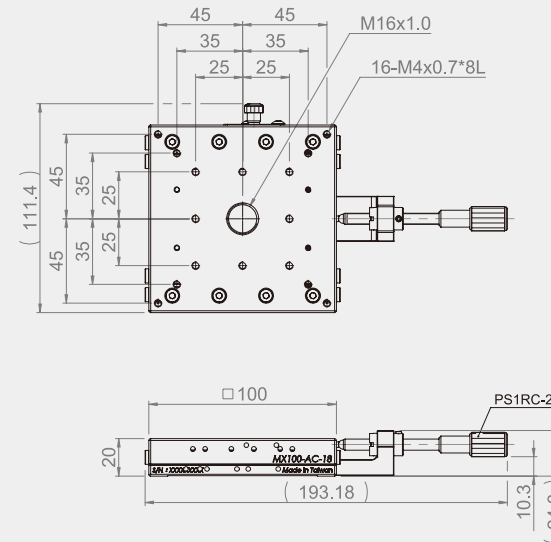
MY100-AC-18



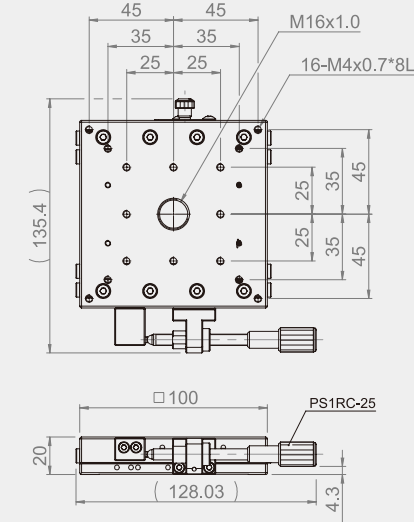
MY100-AS-18



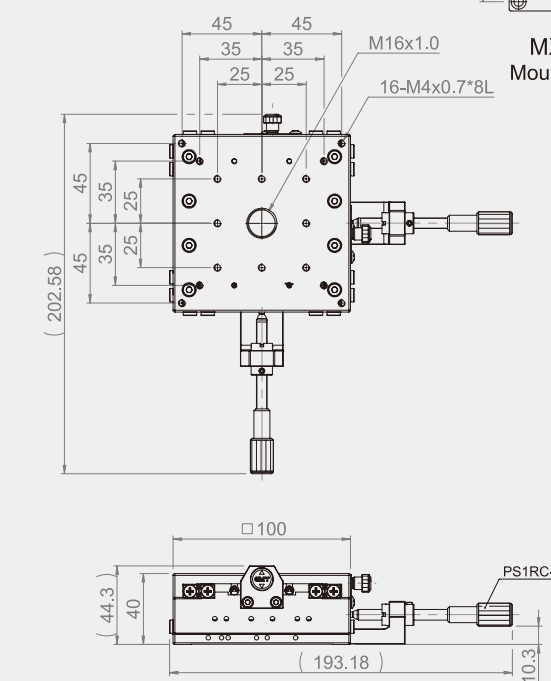
MX100-AC-18



MX100-AS-18

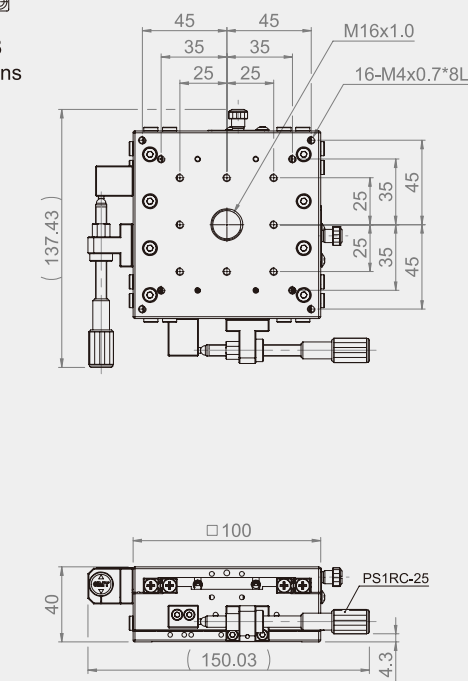


MY100-AC-18



MX(Y)100-A-18 Mounting Dimensions

MY100-AS-18



Specification

Unit : mm

Model No.	Table Size	Axis	Feed Position	Travel Stroke	Feeding Per Knob Rotation	Straightness Accuracy (μm)	Load capacity (kgf)	Weight (kg)	Material	Surface Finish
MX100-AC-18	100*100	X-axis	Central	±12.5	0.5	3	15	0.7	Aluminum alloy	Black anodized
MX100-AS-18			Side							
MY100-AC-18		XY-axis	Central				14.3	1.4		
MY100-AS-18			Side							

Product Specification

Product Specification

MX120-AC-18



MX120-AS-18



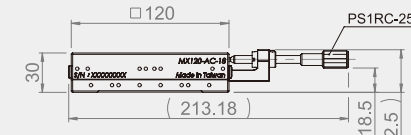
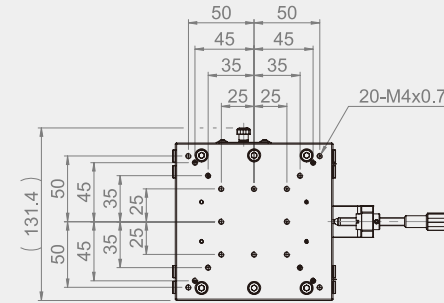
MY120-AC-18



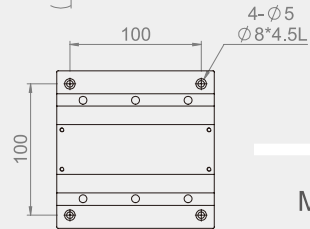
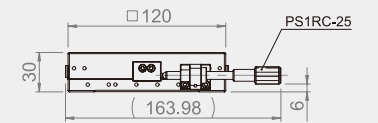
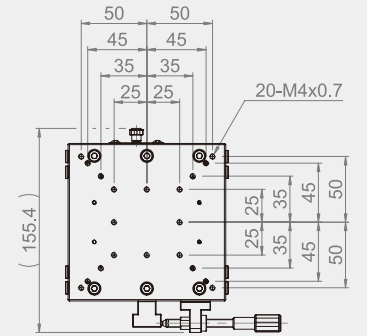
MY120-AS-18



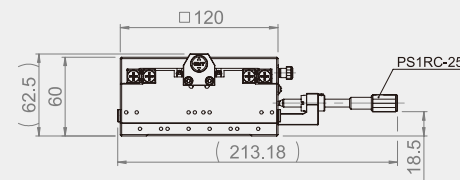
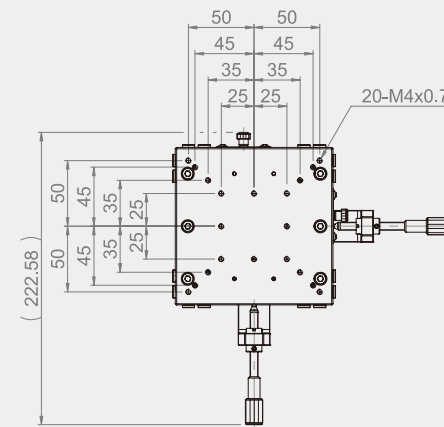
MX120-AC-18



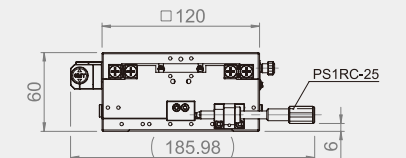
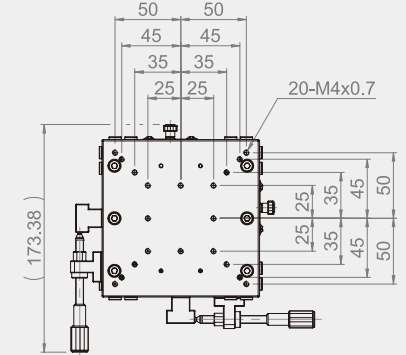
MX120-AS-18



MY120-AC-18



MY120-AS-18



Specification

Unit : mm

Model No.	Table Size	Axis	Feed Position	Travel Stroke	Feeding Per Knob Rotation	Straightness Accuracy (μm)	Load capacity (kgf)	Weight (kg)	Material	Surface Finish
MX120-AC-18	120*120	X-axis	Central	±12.5	0.5	3	20	1.6	Aluminum alloy	Black anodized
MX120-AS-18			Side							
MY120-AC-18		XY-axis	Central				18.4	3.2		
MY120-AS-18			Side							