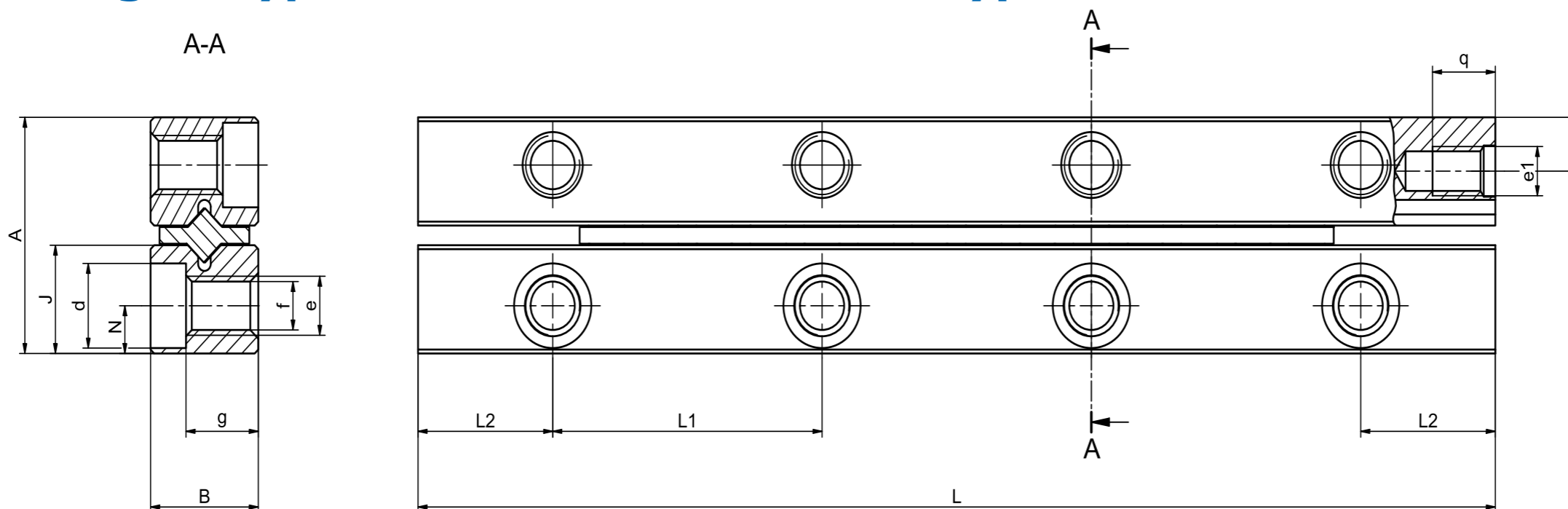


Linearführungen Typ RN / Linear Guide Rails Type RN



| Modelcode | L (mm) | Gewicht / weight (g) | A (mm) | B (mm) | Dw (mm) | J (mm) | L1 (mm) | L2 (mm) | N (mm) | d (mm) | e | e1 | f (mm) | g (mm) | m (mm) | q (mm) | s (mm) |
|-----------------|--------|----------------------|--------|--------|---------|--------|---------|---------|--------|--------|----|----|--------|--------|--------|--------|--------|
| RN 3-050 | 50 | 24 | 18 | 8 | 3 | 8.7 | 25 | 12.5 | 3.5 | 6 | M4 | M3 | 3.3 | 4.8 | 4.8 | 7 | 0.85 |
| RN 3-075 | 75 | 35 | | | | | | | | | | | | | | | |
| RN 3-100 | 100 | 47 | | | | | | | | | | | | | | | |
| RN 3-125 | 125 | 59 | | | | | | | | | | | | | | | |
| RN 3-150 | 150 | 71 | | | | | | | | | | | | | | | |
| RN 3-175 | 175 | 82 | | | | | | | | | | | | | | | |
| RN 3-200 | 200 | 94 | | | | | | | | | | | | | | | |
| RN 3-225 | 225 | 106 | | | | | | | | | | | | | | | |
| RN 3-250 | 250 | 118 | | | | | | | | | | | | | | | |
| RN 3-275 | 275 | 129 | | | | | | | | | | | | | | | |
| RN 3-300 | 300 | 141 | 22 | 11 | 4 | 10.5 | 40 | 20 | 4.5 | 8 | M5 | M3 | 4.3 | 6.9 | 5.5 | 7 | 0.85 |
| RN 4-080 | 80 | 62 | | | | | | | | | | | | | | | |
| RN 4-120 | 120 | 93 | | | | | | | | | | | | | | | |
| RN 4-160 | 160 | 124 | | | | | | | | | | | | | | | |
| RN 4-200 | 200 | 155 | | | | | | | | | | | | | | | |
| RN 4-240 | 240 | 186 | | | | | | | | | | | | | | | |
| RN 4-280 | 280 | 217 | | | | | | | | | | | | | | | |
| RN 4-320 | 320 | 248 | | | | | | | | | | | | | | | |
| RN 4-360 | 360 | 279 | | | | | | | | | | | | | | | |
| RN 4-400 | 400 | 310 | | | | | | | | | | | | | | | |
| RN 6-100 | 100 | 151 | 31 | 15 | 6.5 | 14.8 | 50 | 25 | 6 | 9.5 | M6 | M5 | 5.2 | 9.8 | 7.5 | 9 | 0.85 |
| RN 6-150 | 150 | 226 | | | | | | | | | | | | | | | |
| RN 6-200 | 200 | 301 | | | | | | | | | | | | | | | |
| RN 6-250 | 250 | 377 | | | | | | | | | | | | | | | |
| RN 6-300 | 300 | 452 | | | | | | | | | | | | | | | |
| RN 6-350 | 350 | 527 | | | | | | | | | | | | | | | |
| RN 6-400 | 400 | 603 | | | | | | | | | | | | | | | |
| RN 6-450 | 450 | 678 | | | | | | | | | | | | | | | |
| RN 6-500 | 500 | 753 | | | | | | | | | | | | | | | |

Optionen

Qualitätsklassen

Parallelität der Laufflächen (L=200mm)

| | | |
|------------|---|--------|
| - | Standard / <i>Standard</i> | 4 mcr |
| SQ | Spezialqualität / <i>Special Quality</i> | 2 mcr |
| SSQ | Superspezialqualität / <i>Super Special Quality</i> | 1.5mcr |

| | |
|-----------|--|
| EQ | Einläufe geschliffen / <i>Run-ins rounded</i> |
| ZQ | Zusammengeschliffen (2 mcr) <i>Multi-part</i> |
| HA | Höhenabgestimmt (10 mcr) / <i>Height-matched</i> |

| | |
|-----------|---|
| RF | Rostfreier Edelstahl / <i>Stainless Steel</i> |
| KS | Käfigzwangsteuerung / <i>Anti-cage creep</i> |