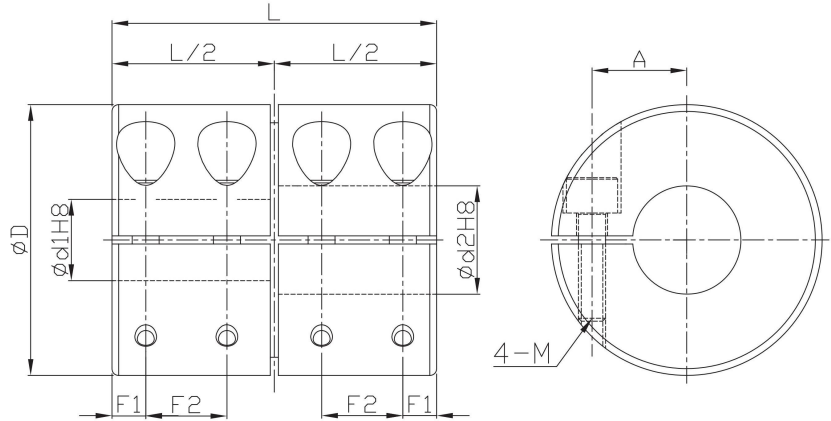


RSCL



- Light, very low inertial and high sensibility.
- Maintenance free, super anti-oil and corrosion-resistance.
- Beam type with no allowable offset almost, please show the axis entirely in operating.



\*Ød1&Ød2 tolerance are defined before machining.

Material	Accessories
SUS303	Clamping screw

Dimensions		Ød1&Ød2 selection *Ød1 ≤ Ød2						L	A	F1	F2	M
Model no.	ØD	5	6	8	10	12	14					
RSCL	16	●	●					22	5	2.5	5.5	2
	20		●	●				24	7		6	
	25			●	●			36	9	4.5	9	2.5
	32				●	●	●	40	11	4	10	3

★Moment of inertial torque and weight calculated by maximum diameter.

Specification		Allowable wrench torque (N·m)	Max. RPM (r/min <sup>-1</sup> )	★ Moment of inertia (kg·m <sup>2</sup> )	Screw fixing torque (N·m)	★ Weight (g)
Model no.	ØD					
RSCL	16	0.3	9000	8.9*10 <sup>-7</sup>	0.5	25
	20	0.5	7000	2.5*10 <sup>-6</sup>		45
	25	1	6000	9.2*10 <sup>-6</sup>	1	100
	32	2	4500	2.7*10 <sup>-5</sup>	1.5	180

Ordering Example: RSCL25 - 8 - 10 - 100 PCS  
 Model no. Ød1 \* Ød2 Q'ty