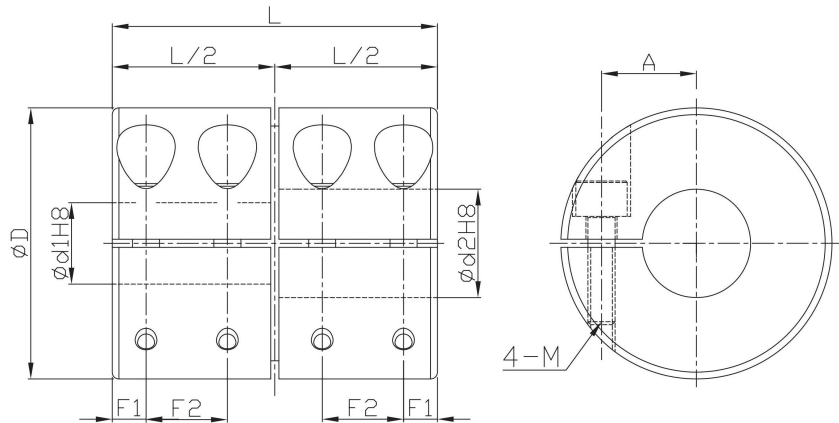


RACL



- Light, very low inertial and high sensibility.
- Maintenance free, super anti-oil and corrosion-resistance.
- Beam type with no allowable offset almost, please show the axis entirely in operating.



*Ød1&Ød2 tolerance are defined before machining.

Material	Surface finish	Accessories
Aluminum Alloy	Anodized	Clamping screw

Dimensions		Ød1&Ød2 selection *Ød1 ≤ Ød2						L	A	F1	F2	M
Model no.	ØD	5	6	8	10	12	14					
RACL	16	•	•					22	5	2.5	5.5	2
	20		•	•				24	7		6	
	25			•	•			36	9	4.5	9	2.5
	32				•	•	•	40	11	4	10	3

★ Moment of inertial torque and weight calculated by maximum diameter.

Specification		Allowable wrench torque (N·m)	Max. RPM (r/min ¹)	★ Moment of inertia (kg·m ²)	Screw fixing torque (N·m)	★ Weight (g)
Model no.	ØD					
RACL	16	0.3	9000	3.4*10 ⁻⁷	0.5	10
	20					18
	25	1	6000	3.4*10 ⁻⁶	1	38
	32	2	4500	1.0*10 ⁻⁵	1.5	70

Ordering Example: RACL25 - 8 - 10 - 100 PCS
 Model no. Ød1 Ød2 Q'ty