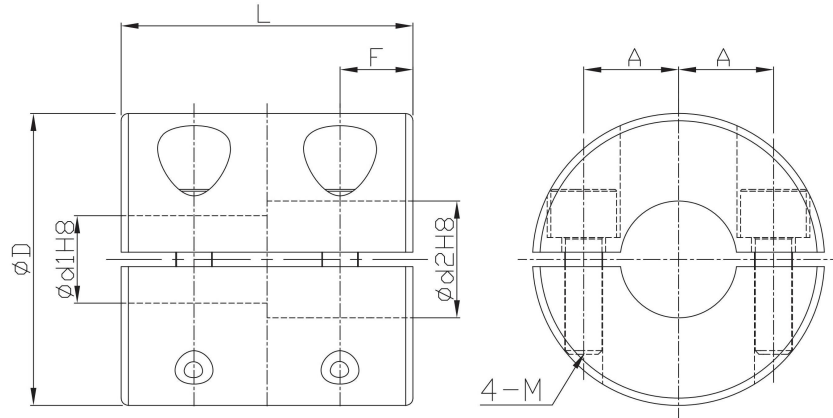


RAB



- Light, very low inertial and high sensibility.
- Maintenance free, super anti-oil and corrosion-resistance.
- Beam type with no allowable offset almost, please show the axis entirely in operating.



*Ød1&Ød2 tolerance are defined before machining.

Material	Surface finish	Accessories
Aluminum Alloy	Anodized	Clamping screw

Dimensions		Ød1&Ød2 selection *Ød1 ≤ Ød2						L	A	F	M
Model no.	ØD	5	6	8	10	12	14				
RAB	16	•	•					16	5	4	2.5
	20		•	•				20	6.5	5	
	25			•	•			25	9	6	3
	32				•	•	•	32	11	8	4

★ Moment of inertial torque and weight calculated by maximum diameter.

Specification		Allowable wrench torque (N·m)	Max. RPM (r/min ⁻¹)	★ Moment of inertia (kg·m ²)	Screw fixing torque (N·m)	★ Weight (g)
Model no.	ØD					
RAB	16	0.3	9500	3.2*10 ⁻⁷	1	8.8
	20	0.5	7600	8.7*10 ⁻⁷		15
	25	1	6100	2.7*10 ⁻⁶	1.5	29
	32	2	4800	9.3*10 ⁻⁶	2.5	61

Ordering Example: RAB25 - 8 - 10 - 100 PCS
 Model no. - Ød1 - Ød2 - Q'ty